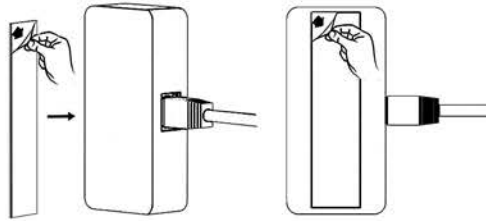
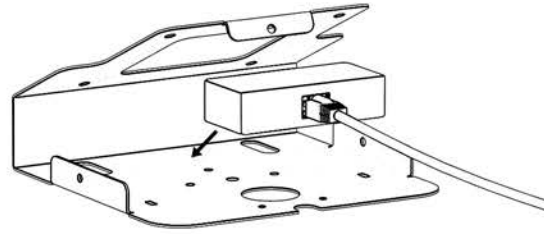


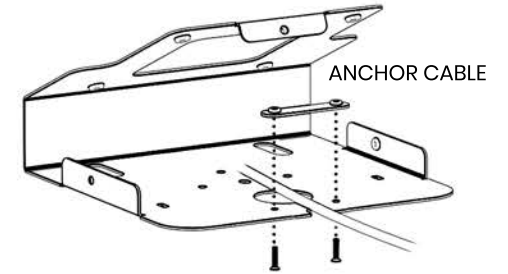
0 IF YOU USE POE



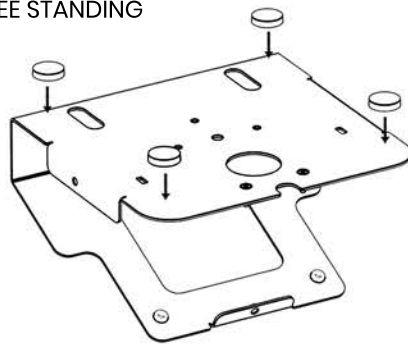
PLACE HERE



1

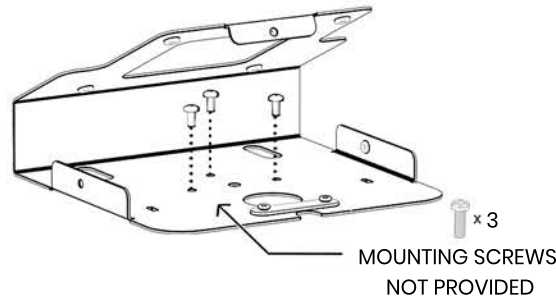


2.1 FREE STANDING



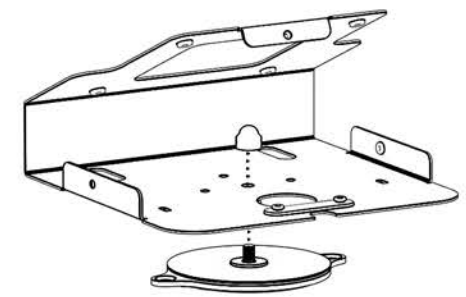
2.2 TABLE MOUNTED

or

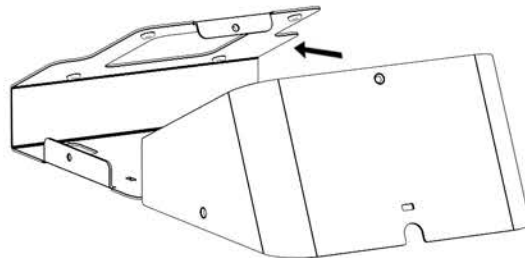


2.3 SWIVEL BASE (optional add on)

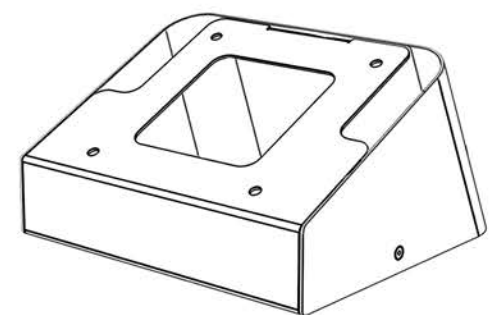
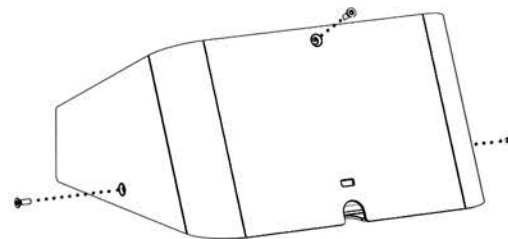
or



5



6



IN THE BOX



Screwdriver



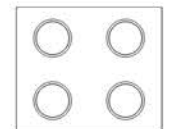
Tamper proof screws



Enclosure mounting screws

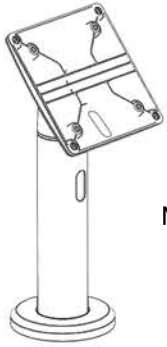


Tape-double sided



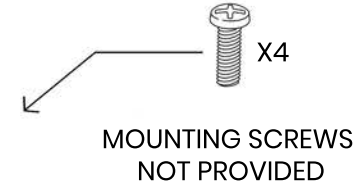
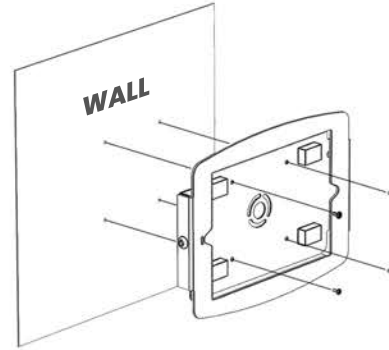
Bumper legs pack

1

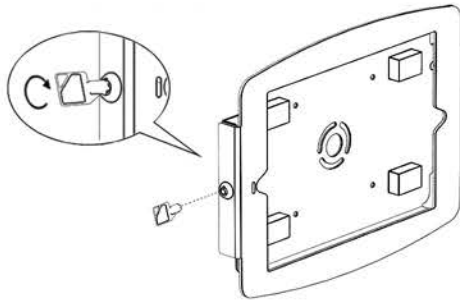


FOLLOW STAND  
MOUNTING INSTRUCTIONS

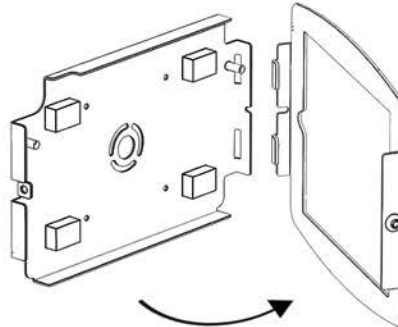
or



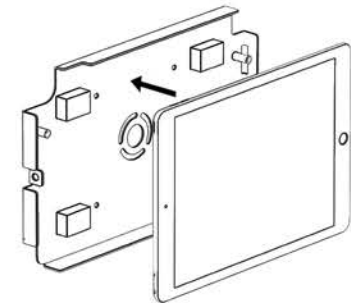
2



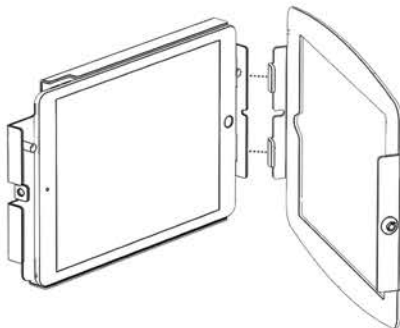
3



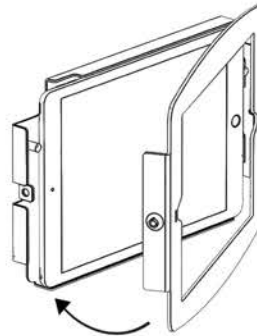
4



5



6



7

