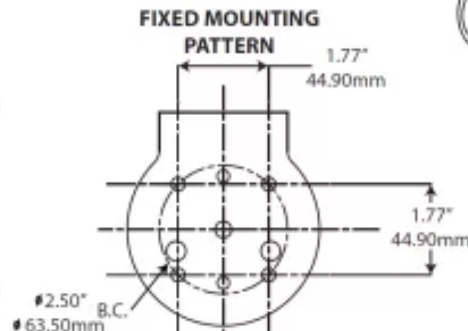
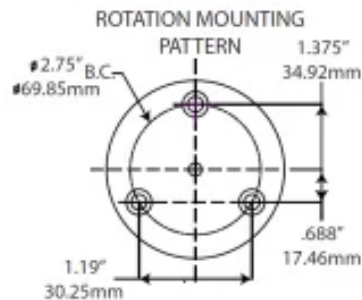


### FEATURES

- SECURES TO COUNTER WITH VHB TAPE OR SCREWS
- MOUNTS TO ANY DEVICE
- ROTATABLE 360 DEGREES
- DOCKS ON STAND AND IS LOCKABLE
- WALL MOUNTS

### MOUNTING



MOUNTING SCREWS NOT PROVIDED

