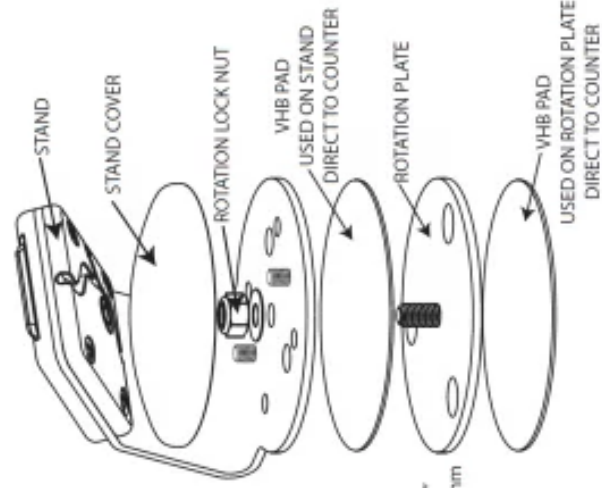
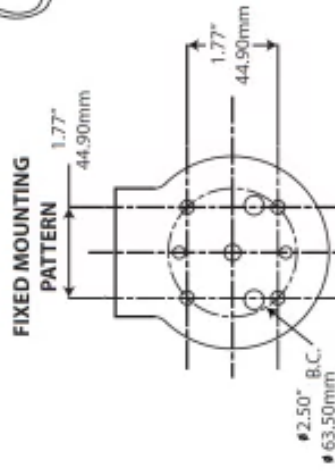
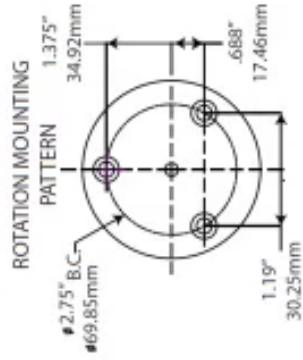


FEATURES

SECURES TO COUNTER WITH VHB TAPE OR SCREWS
MOUNTS TO ANY DEVICE
ROTATABLE 360 DEGREES
DOCKS ON STAND AND IS LOCKABLE
WALL MOUNTS

MOUNTING



MOUNTING SCREWS NOT PROVIDED