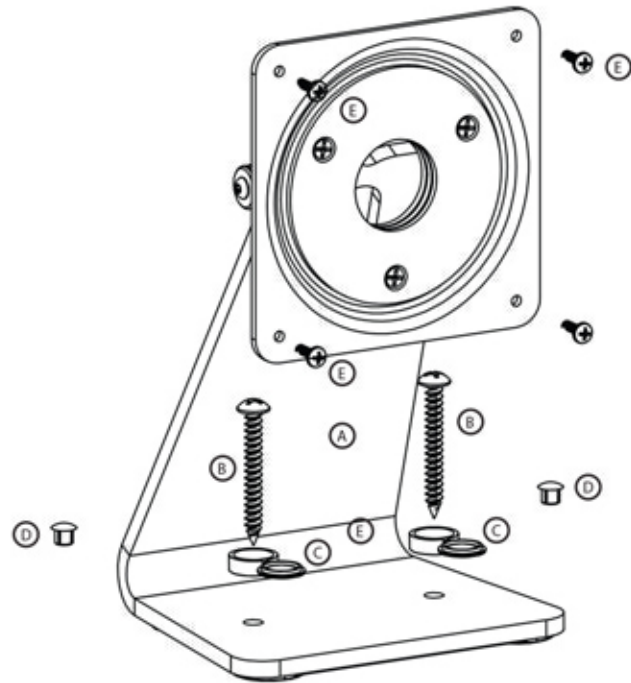
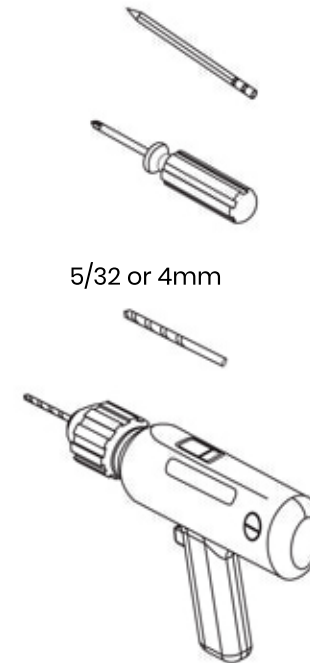


Exploded View



Recommended Tools

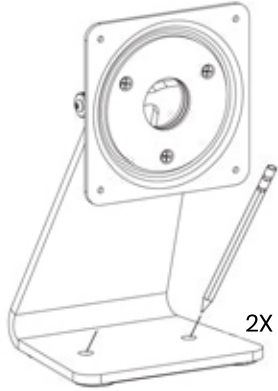


Parts List

	ITEM	QTY
A	Universal Counter Stand Assembly	1
B	#14 x 2" Phillips Sheet Metal Screw	2
C	Plastic Screw Cover	2
D	Plastic Hole Plug (installed at factory - remove for mounting)	2
E	M4 x 8mm Phillips Head Screw	4

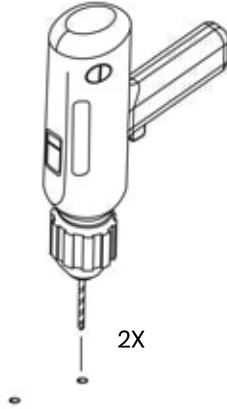
Table Top Mounting

1



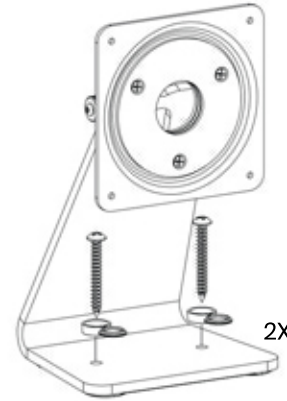
Mark holes

2



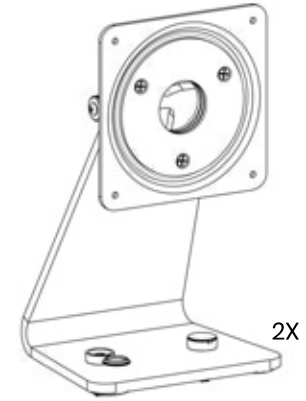
Drill holes with 5/32" drill bit
2" deep

3



Install plastic screw caps and
screws

4



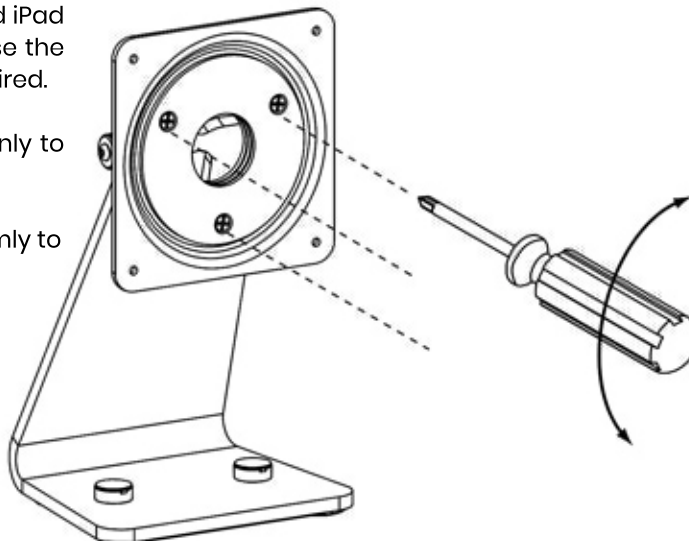
Snap plastic screw caps shut

Adjust Tension and Position

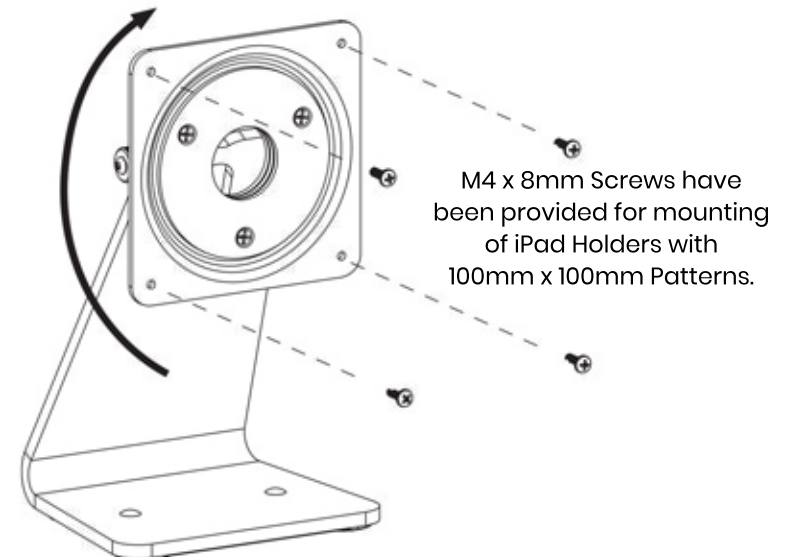
Before Installing selected iPad Holder you can increase the rotational friction if desired.

Adjust all 3 screws evenly to desired tension.

Tighten all 3 screws Firmly to "Lock" in Position if no movement is desired.

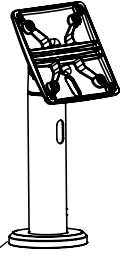


Enclosure Mounting

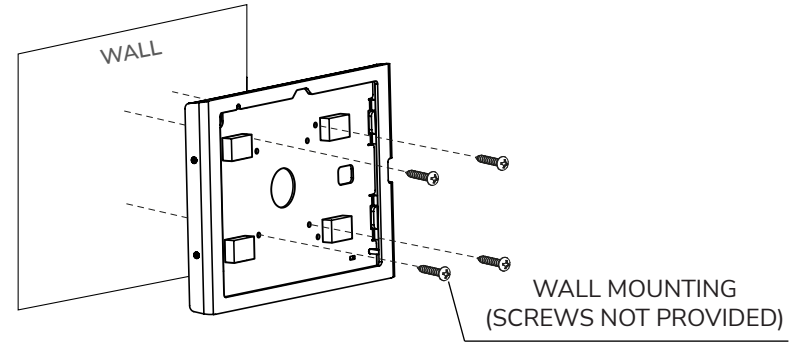


Mounting options

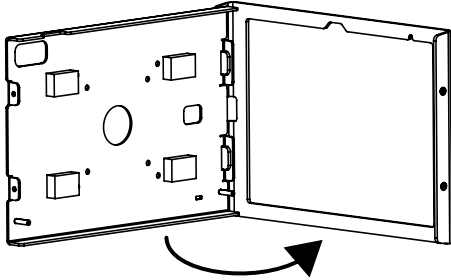
FOLLOW STAND
MOUNTING INSTRUCTIONS
(SUPPLIED WITH STANDS)



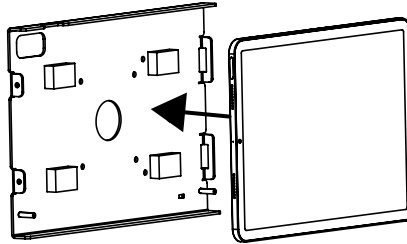
Or



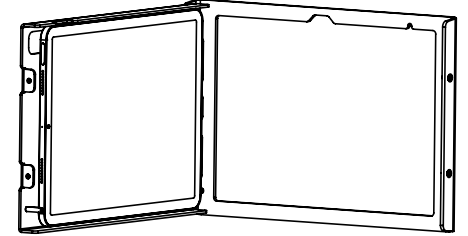
1



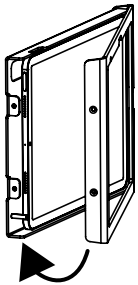
2



3

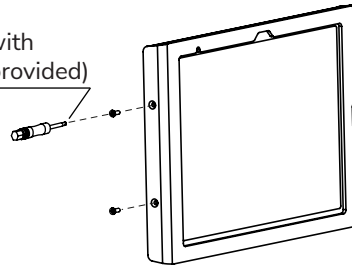


4

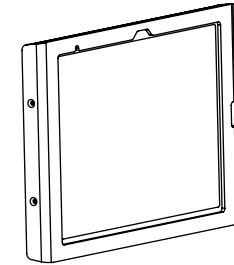


5

Secure with
M3 screws (provided)



6



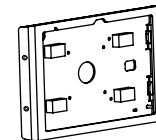
IN THE BOX



Torx Screwdriver



M3x10mm tamper proof screws



Swell enclosure