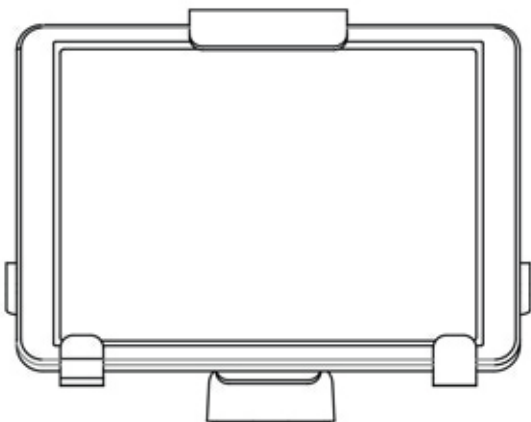
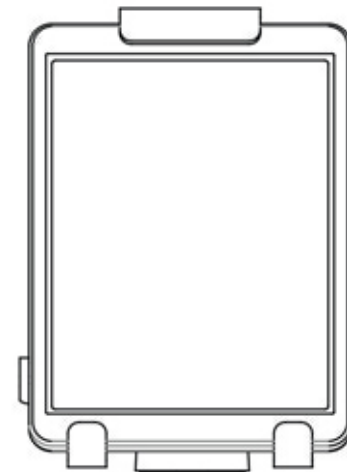


Rugged Case Mounts

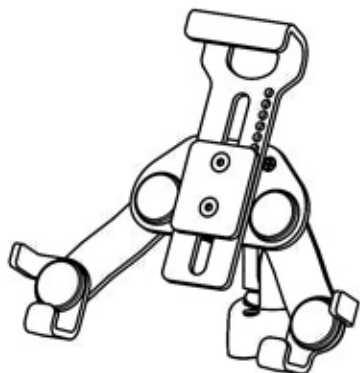
LANDSCAPE



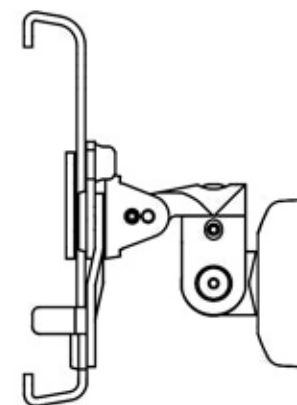
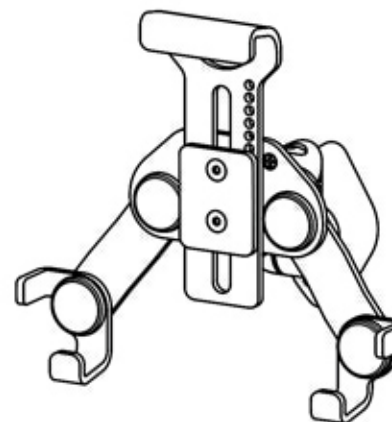
PORTRAIT



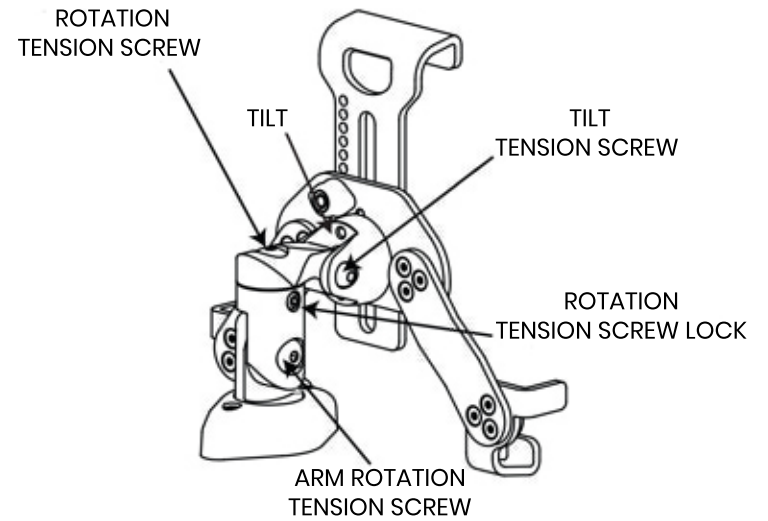
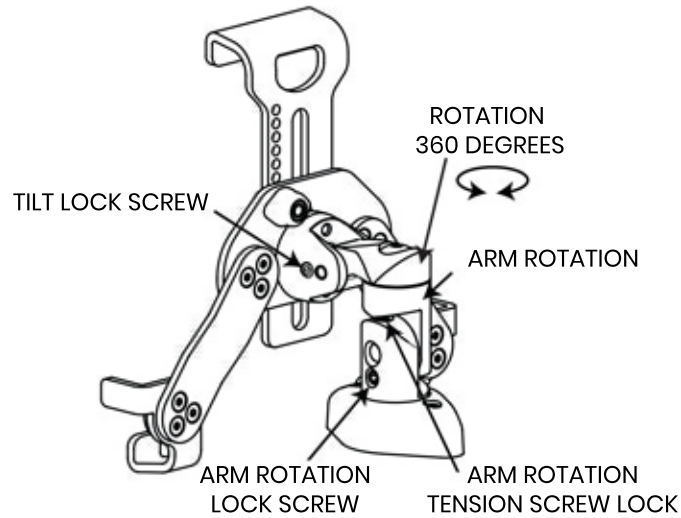
Counter Mounting



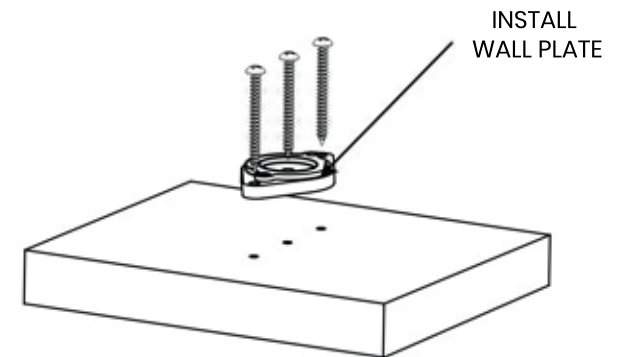
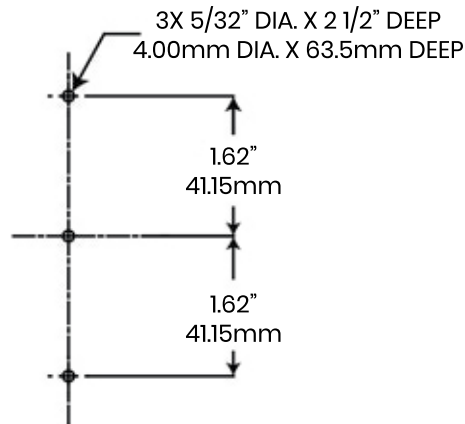
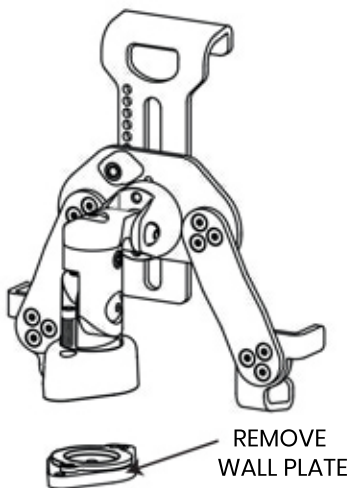
Wall Mounting



Stand Adjustments

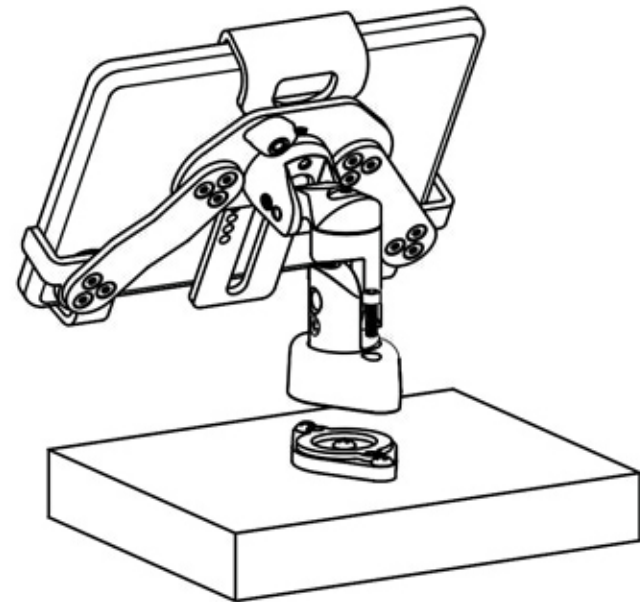
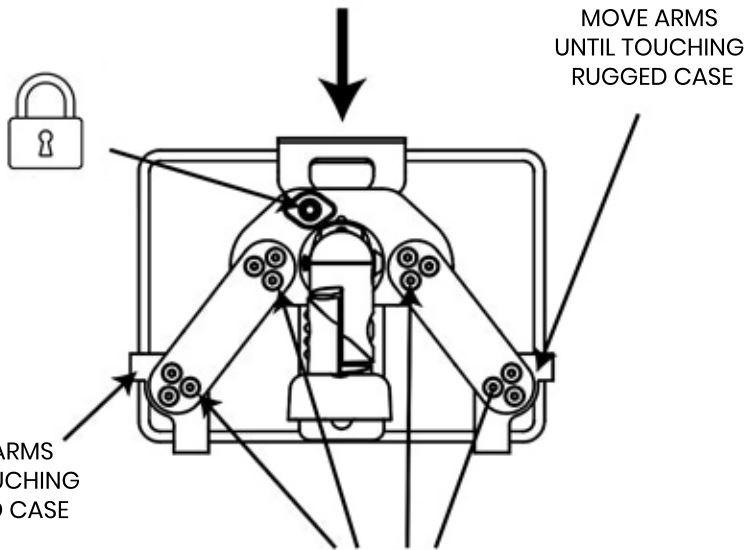
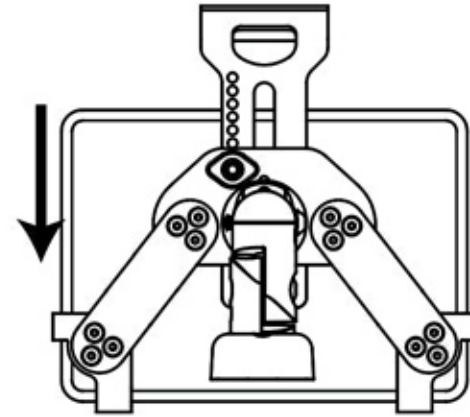
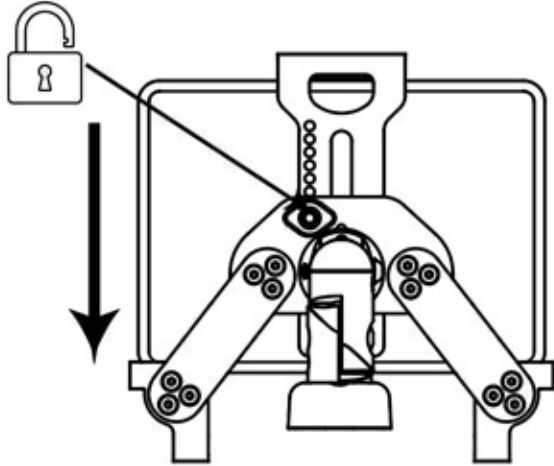


Mounting Pattern



Install Rugged Case Holder

PLACE FACE DOWN ON COUNTER



TIGHTEN ALL SCREWS