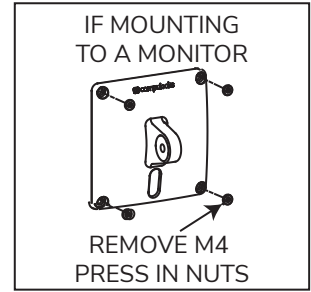
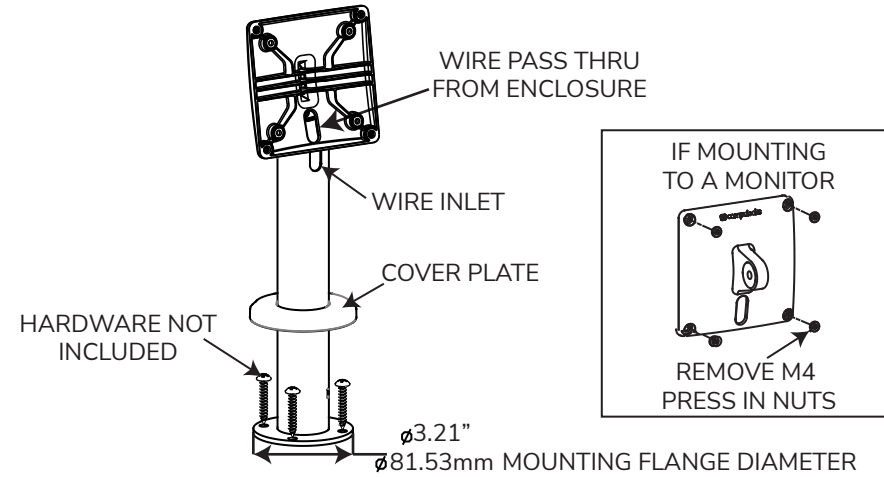
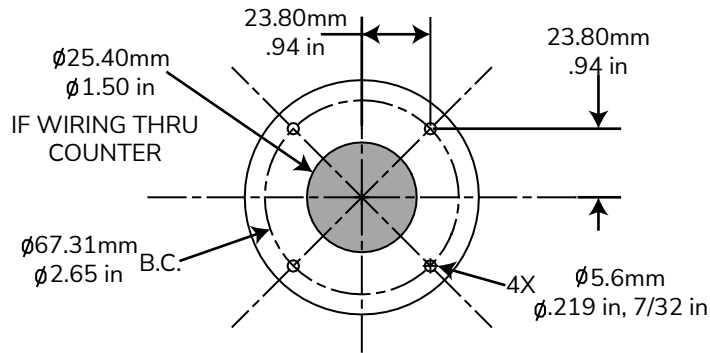


Assembly Instructions

Installation On Counter Top

1

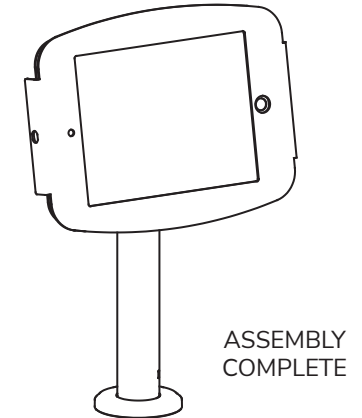
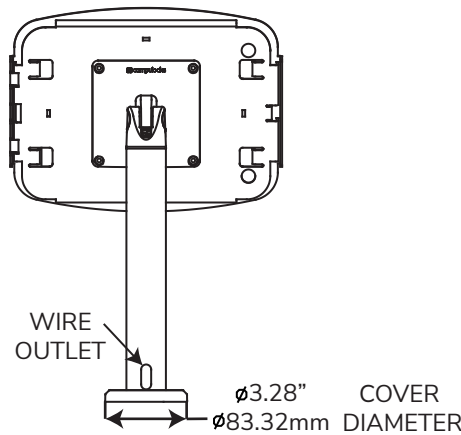
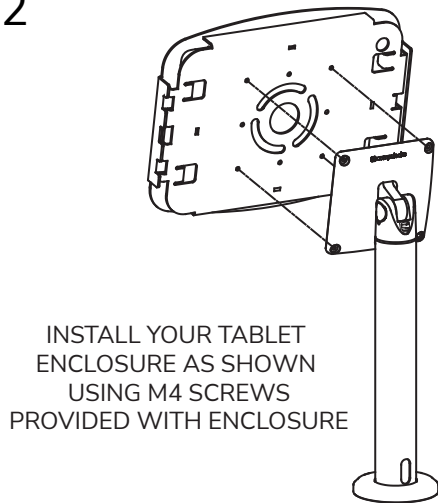
COUNTER MOUNTING PATTERN



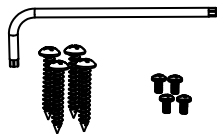
2

3

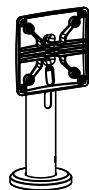
4



IN THE BOX



Hardware Kit



Fixed Pole Stand

ACCESSORIES



Adhesive Base



Single Add On Bracket

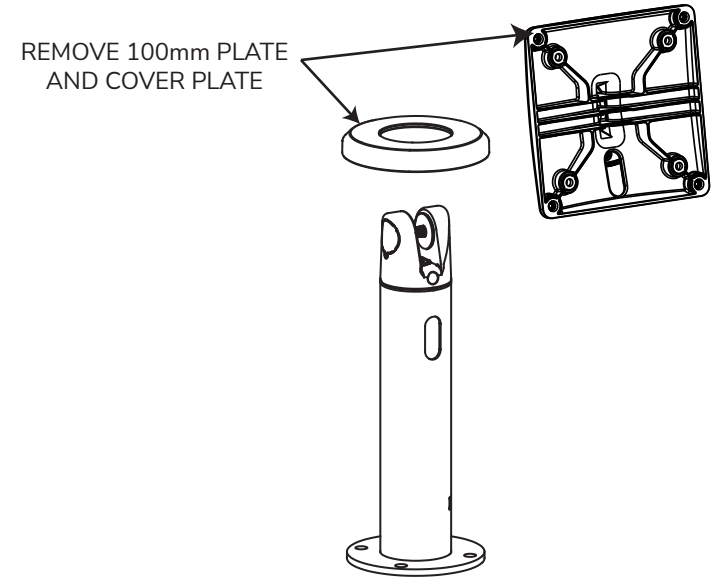
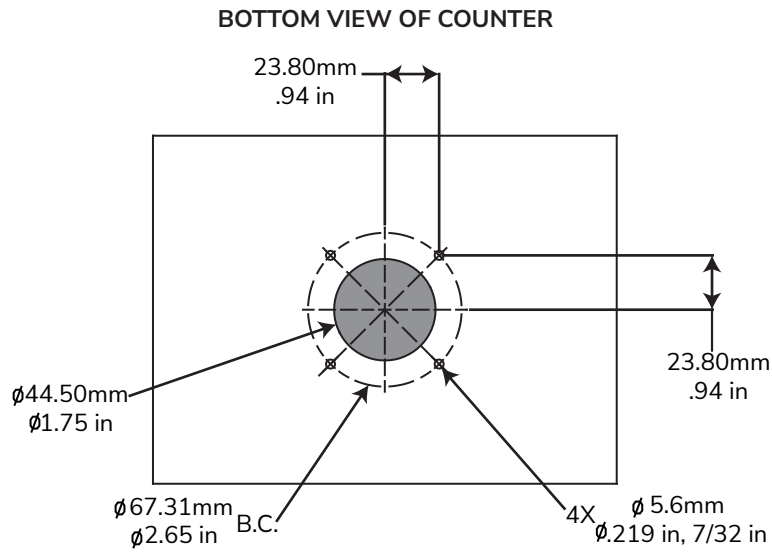


Free Standing Base

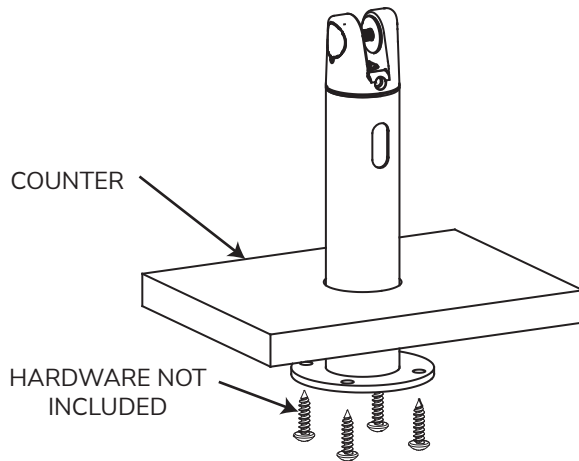
Assembly Instructions

Installation Below Counter

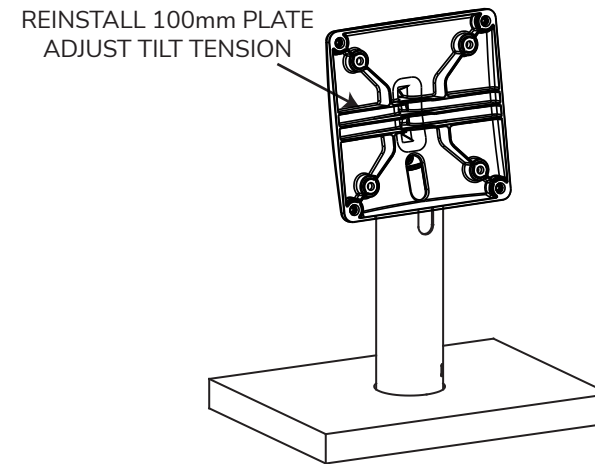
1



2



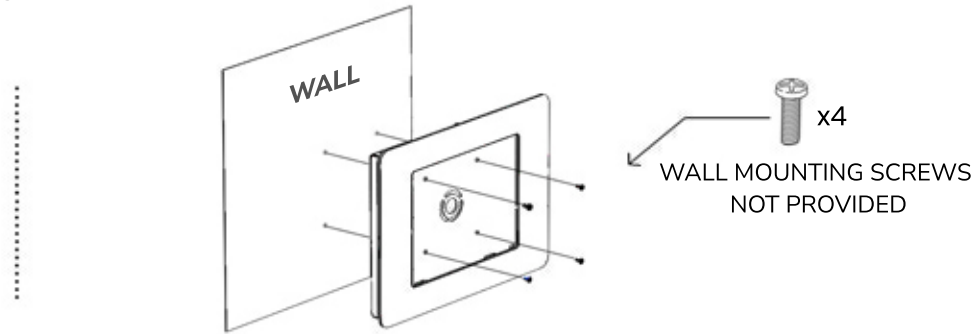
3



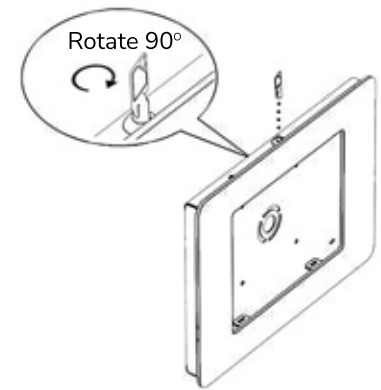
1

FOLLOW STAND
MOUNTING
INSTRUCTIONS

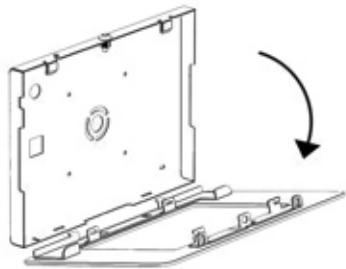
or



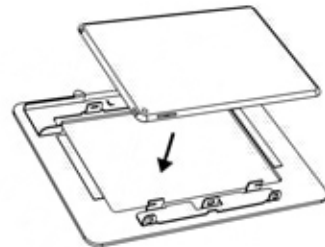
2



3



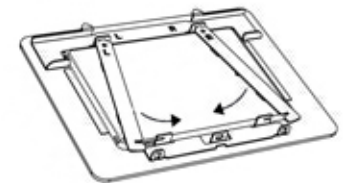
4



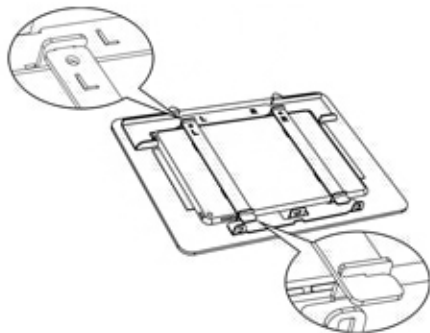
5



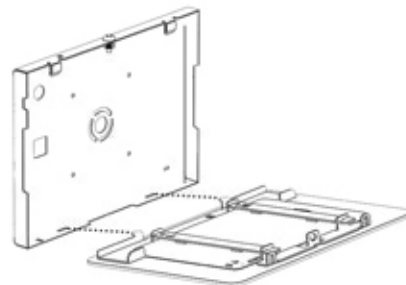
6



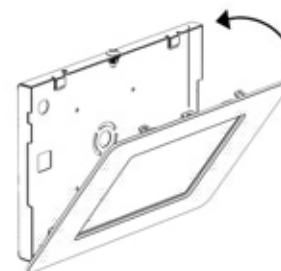
7



8



9



10

