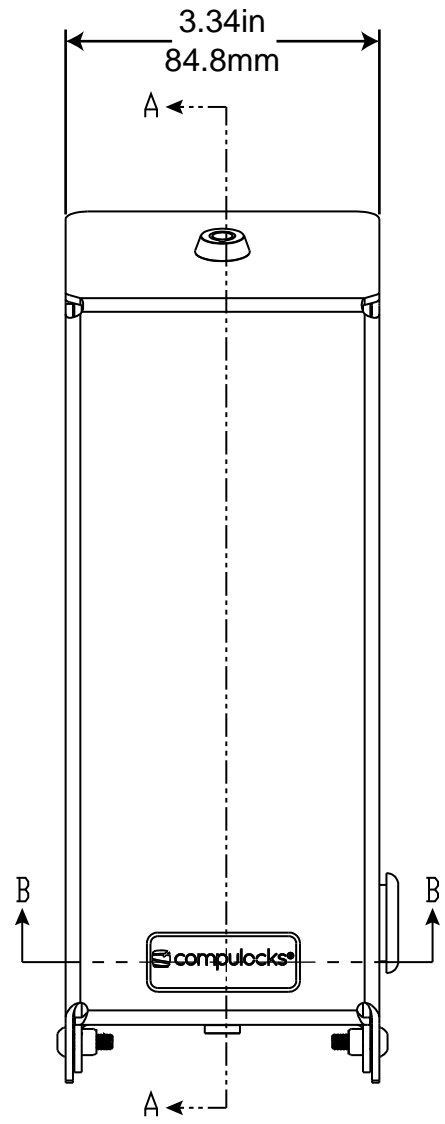


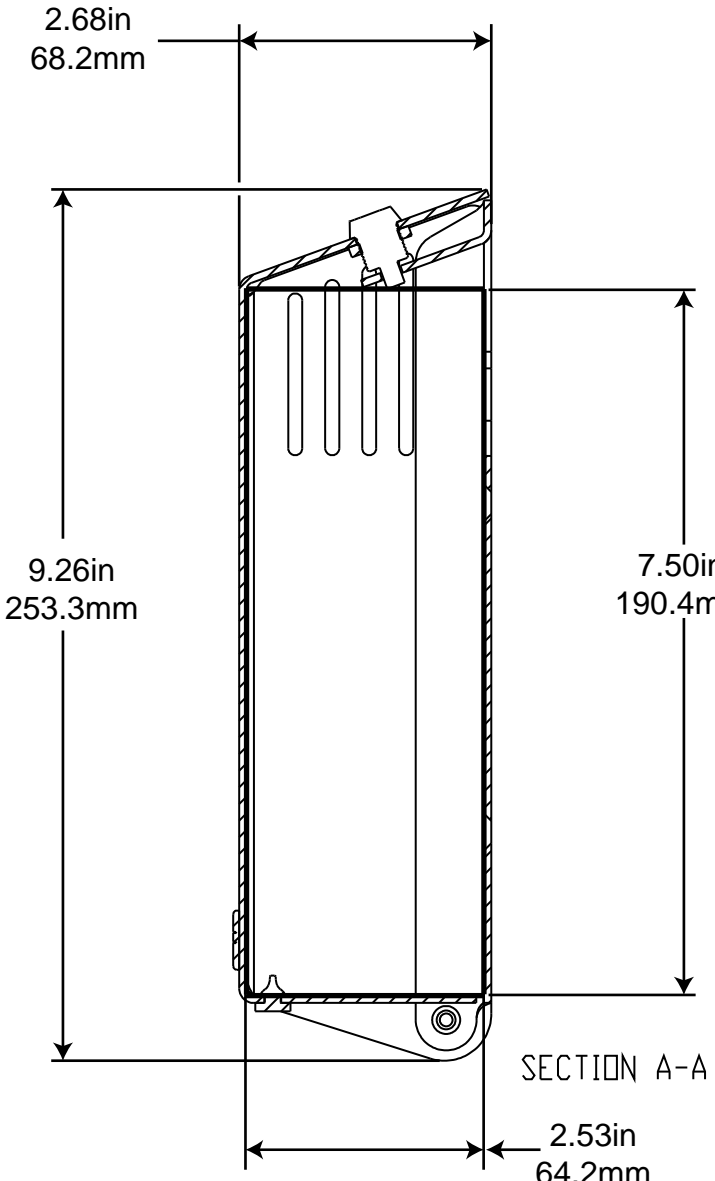
# ROLLING RISE LARGE SECURE POWER BOX

SKU	Weight	Date	Version
RF03SPBB (Black)	3.0 lb	08.08.22	V01
RF03SPBW (White)			



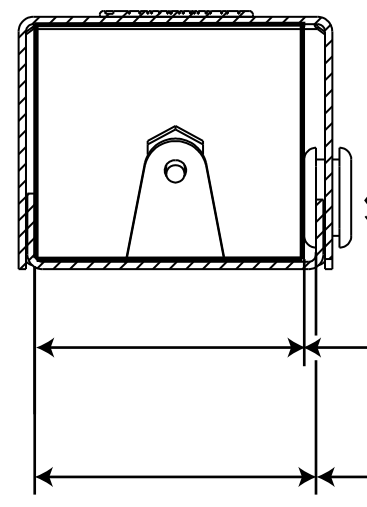
3.34in  
84.8mm

3.34in  
84.8mm



MAXIMUM  
INNER COMPARTMENT HEIGHT

MAXIMUM  
INNER COMPARTMENT HEIGHT

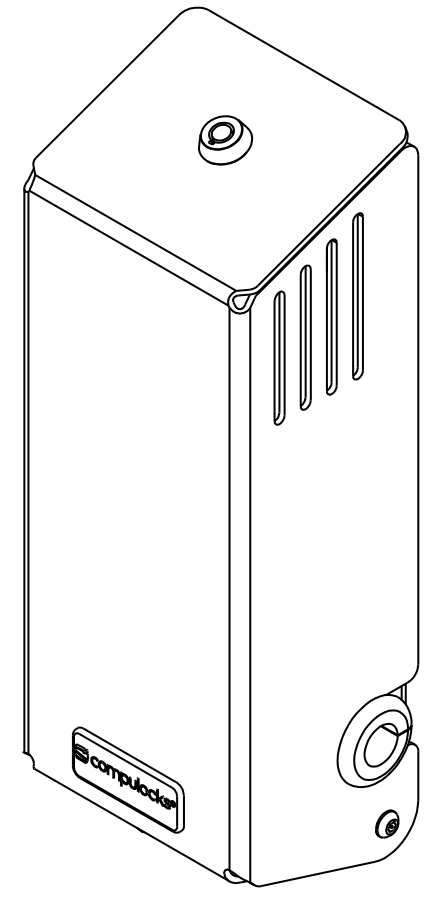


MAXIMUM  
INNER COMPARTMENT WIDTH  
WITH GROMMET INSTALLED

2.87in  
72.9mm

MAXIMUM  
INNER COMPARTMENT WIDTH  
WITHOUT GROMMET INSTALLED

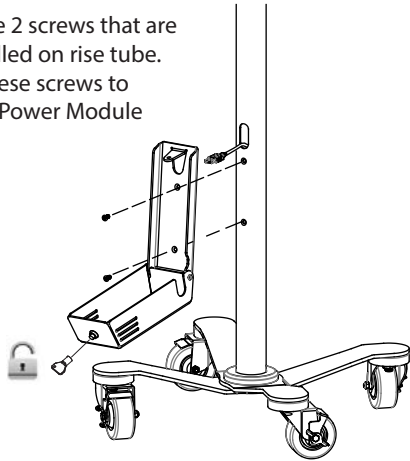
2.99in  
76mm



## Assembly Instructions

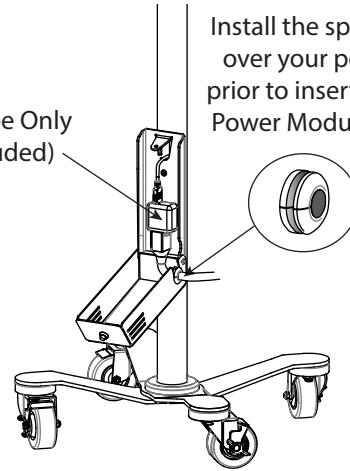
1

Remove the 2 screws that are pre-installed on rise tube.  
Use these screws to mount Power Module



2 OPT. 1

Power Cube Only  
(not included)

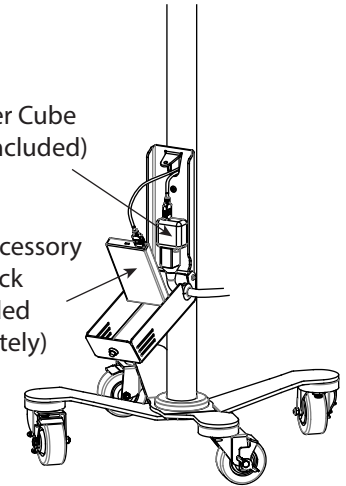


Install the split grommet over your power cable prior to inserting into the Power Module as shown.

3 OPT. 2

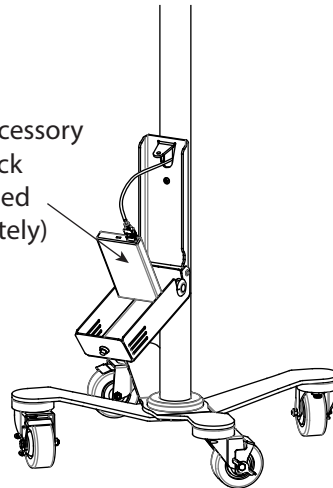
Power Cube  
(not included)

Compulocks Accessory  
Battery Pack  
(Not included  
Sold Separately)



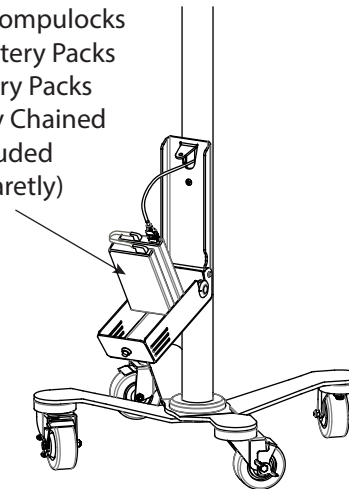
4 OPT. 3

Compulocks Accessory  
Battery Pack  
(Not included  
Sold Separately)



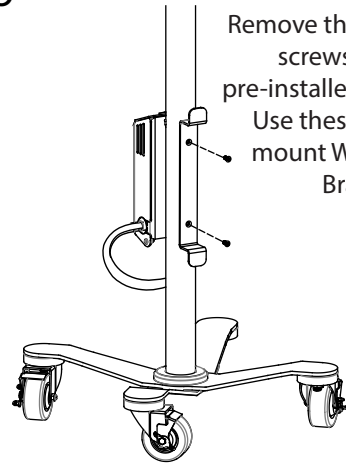
5

Holds up to 2 Compulocks  
2,000mAh Battery Packs  
\*Some Battery Packs  
Can be Daisy Chained  
(Not Included  
Sold Separately)



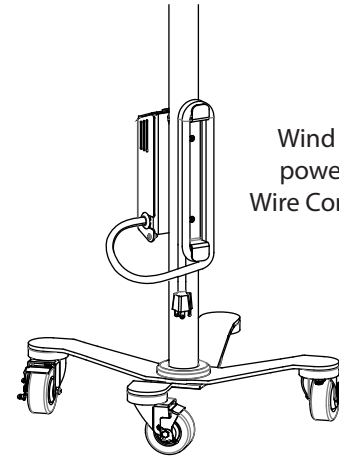
## Assembly Instructions

6



Remove the 2 remaining screws that are pre-installed on rise tube. Use these screws to mount Wire Control Bracket

7

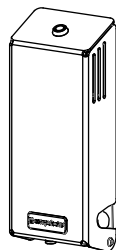


Wind up excess power cord on Wire Control Bracket

### IN THE BOX



Keys



Power Module Housing



Split Rubber Grommet



Wire Control Bracket