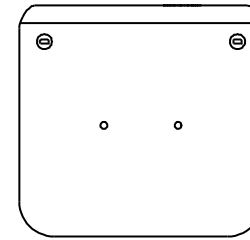
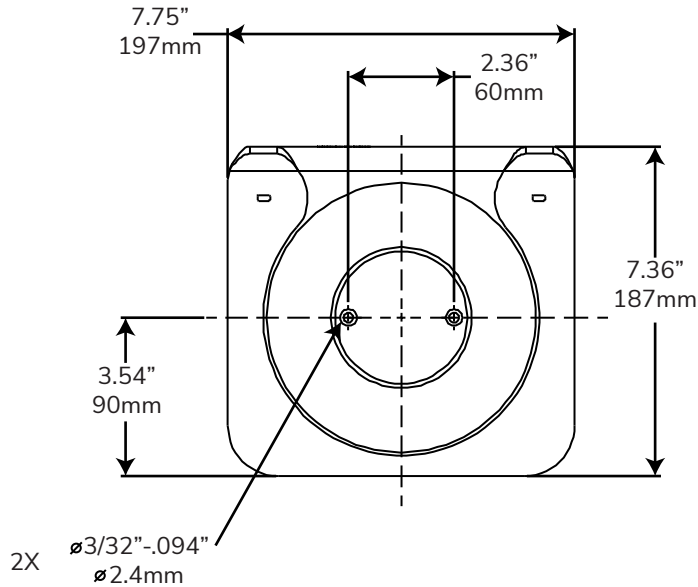
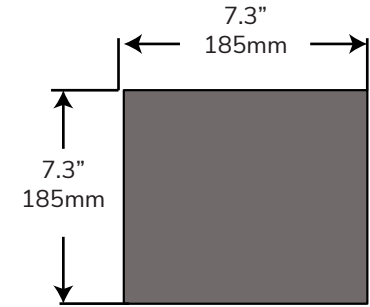


Assembly Instructions

1

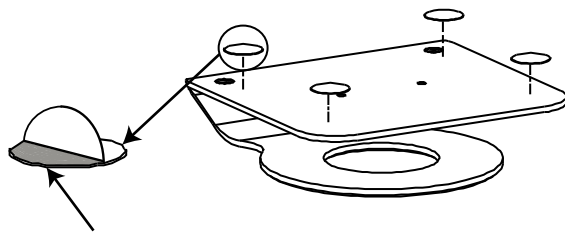
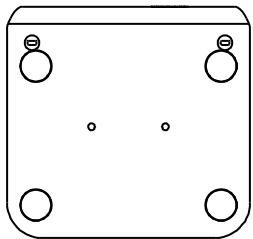


CLEAN BOTTOM OF STAND USING ALCOHOL PAD PROVIDED



IF BONDING STAND TO COUNTER CLEAN AREA TO SIZE SHOWN WHERE STAND WILL BE PLACED USING ALCOHOL PAD PROVIDED

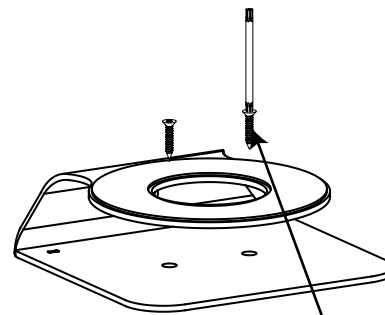
2 Free Standing Base



REMOVE COVER FROM FEET AND ADHERE TO BASE APPROXIMATELY WHERE SHOWN

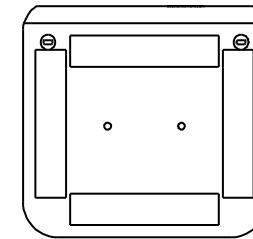
OR Screw Fixed

ADHERE FEET AS PER FREE STANDING BASE

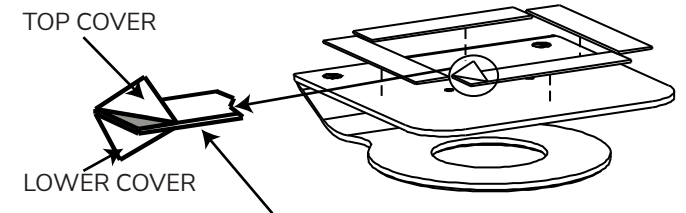


SECURE BASE TO FLAT SURFACE USING TAMPER PROOF SCREWS PROVIDED. THERE WILL BE A 1mm / 0.04" GAP BETWEEN STAND AND COUNTER TOP TO ALLOW FOR LOCK HEAD

OR Bonding Stand

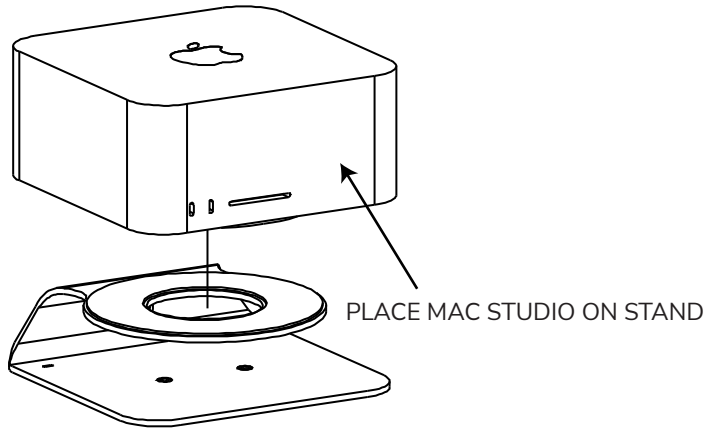


FULL BOND STRENGTH WILL OCCUR IN 48 HRS.

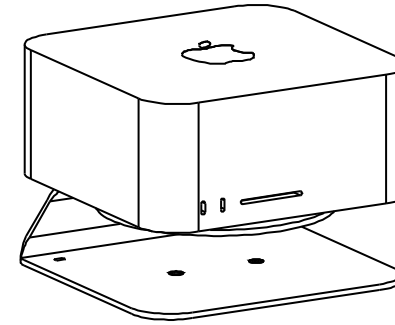


REMOVE COVER FROM ONE SIDE OF ADHESIVE TAPE AND ADHERE TO STAND APPROXIMATELY WHERE SHOWN. AFTER INSTALLATION REMOVE SECOND TAPE COVER AND ADHERE TO PREPARED SURFACE

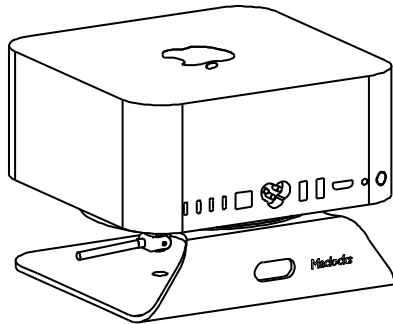
3



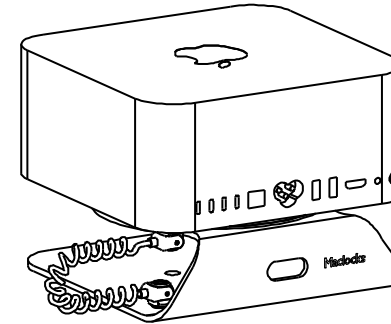
4



Security Options

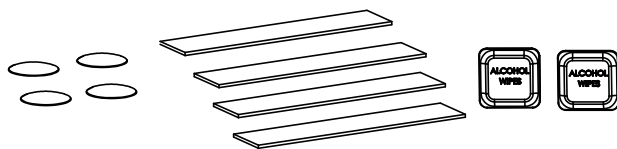


FREESTANDING BASE OPTION
USE ONE (1) CL15 SECURITY KEYED CABLE LOCK
ON THE MAC STUDIO

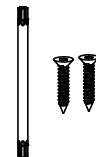


BONDED OR SCREW FIXED BASE OPTION
USE ONE (1) CL02H SECURITY KEYED DUAL HEAD COILED CABLE LOCK
ATTACHED TO THE MAC STUDIO AND THE STAND

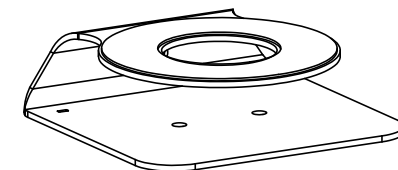
IN THE BOX



Mounting Kit



Hardware Kit



Mac Studio Security Desktop Stand