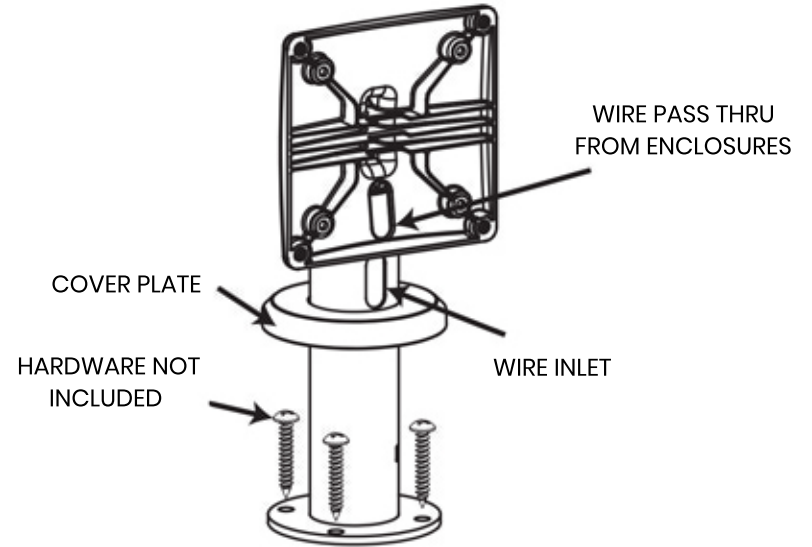
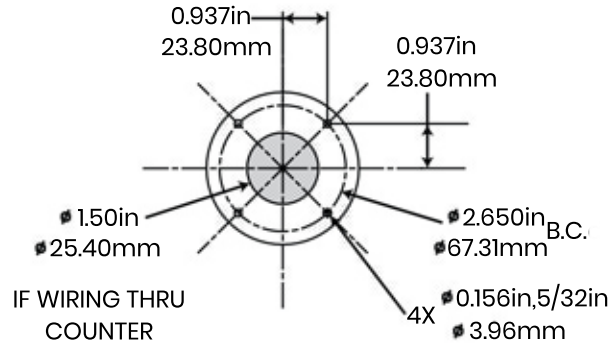
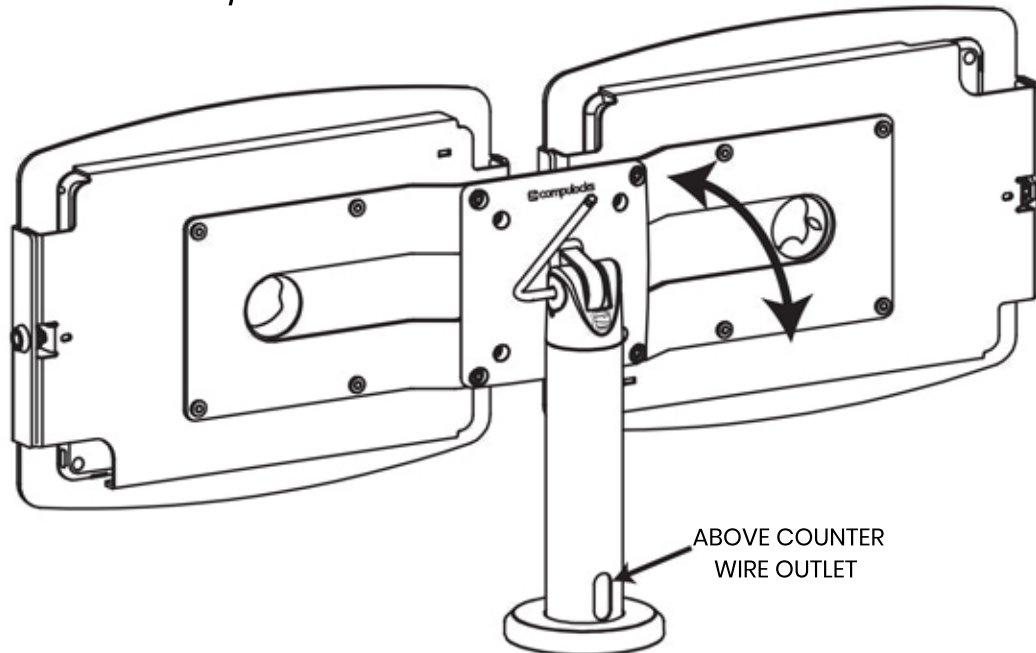


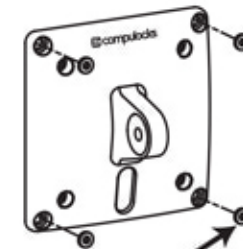
### INSTALLATION ON COUNTER TOP



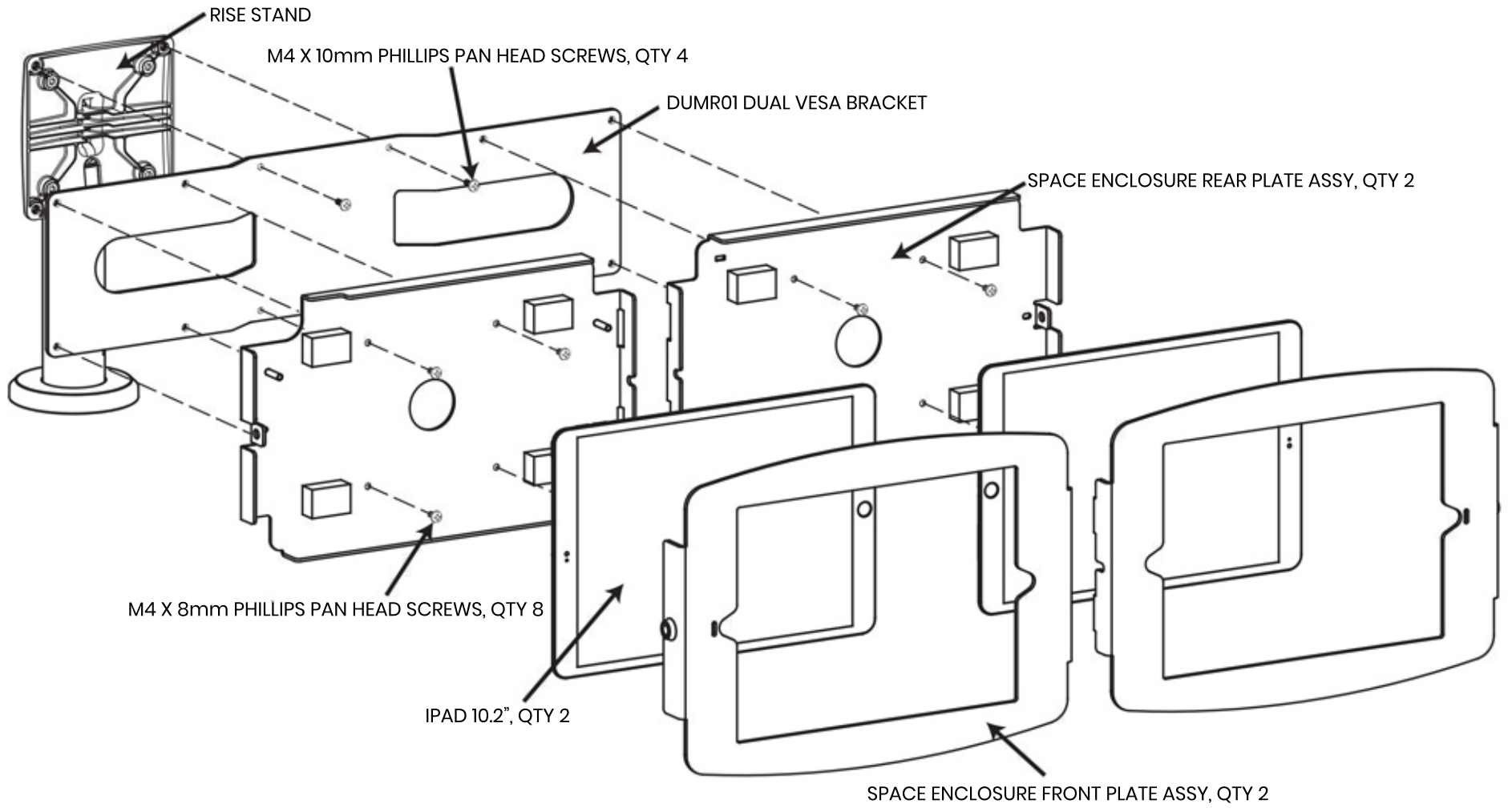
### ADJUST TILT / TENSION



IF MOUNTING TO ANOTHER 100mm MOUNT THAT REQUIRES M5 SCREWS



REMOVE M4 PRESS IN NUTS



**ACCESSORIES**



FREE STANDING BASE

TCDP8FB-BLACK  
 TCDP8FW-WHITE



ADHESIVE BASE

TCDP6AB-BLACK  
 TCDP6AW-WHITE