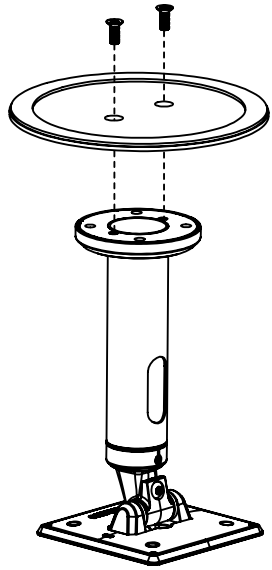
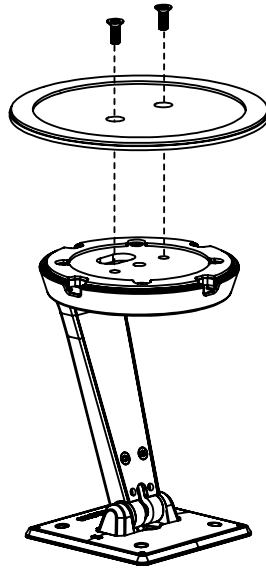


### 1 Freestanding



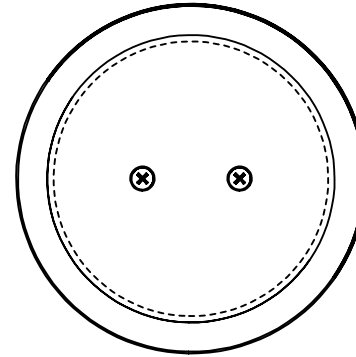
INSTALL STABILITY BASE  
USING M6X10mm  
FLAT HEAD SCREWS  
(PROVIDED).

FOR ADHESIVE MOUNTING,  
CONTINUE TO STEP 2



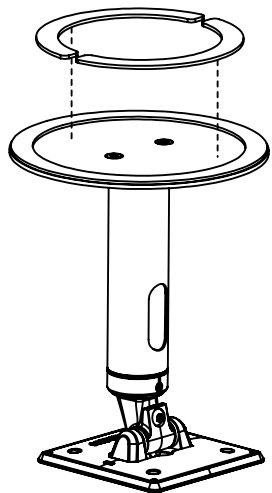
### 2 Adhesive Mounting

\*NOTE: COMPLETE STEP 1 FIRST

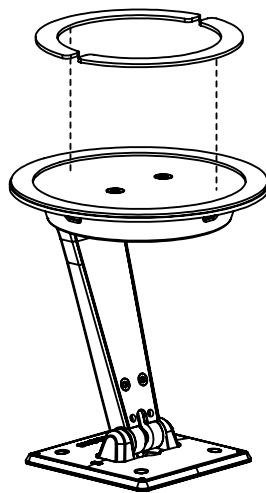
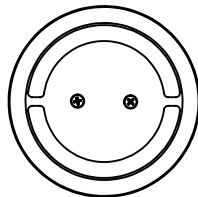


CLEAN THE INDICATED  
BOTTOM AREA WITH  
ALCOHOL WIPES

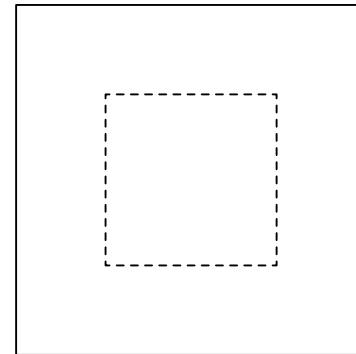
### 3



APPLY STICKERS  
TO BOTTOM OF STAND



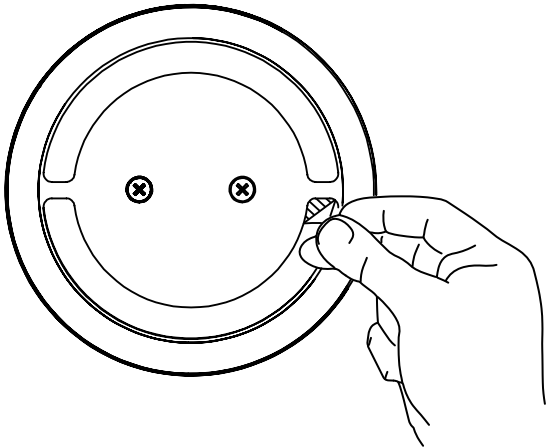
### 4



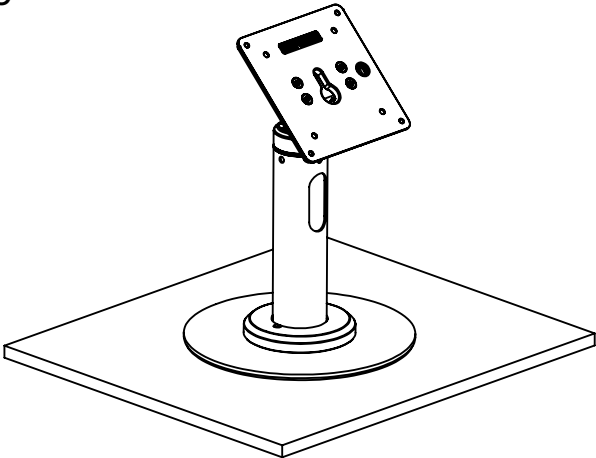
CLEAN INDICATED  
COUNTER AREA  
USING ALCOHOL WIPES

5

REMOVE STICKER COVERS

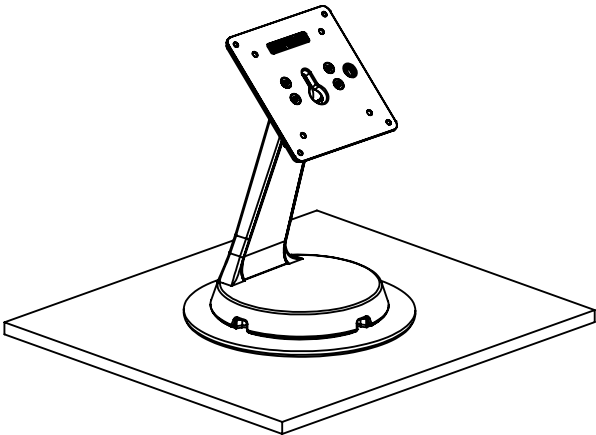


6



APPLY TO COUNTER

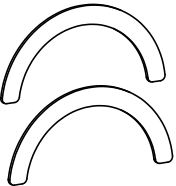
BOND ACHIEVES FULL STRENGTH AFTER 12 HOURS



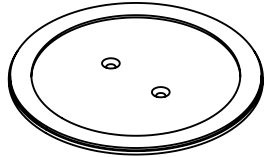
IN THE BOX



M6X10mm Flat head screws



VHB Adhesive Stickers (Optional)



Stability Base