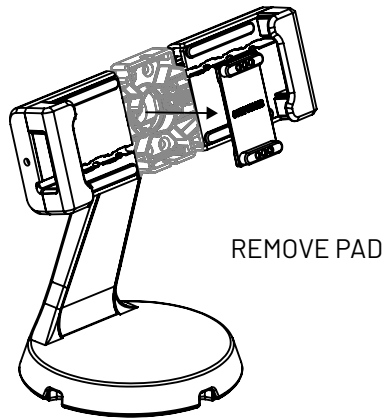
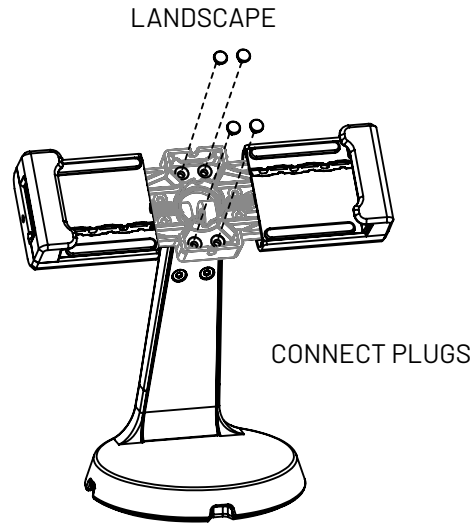


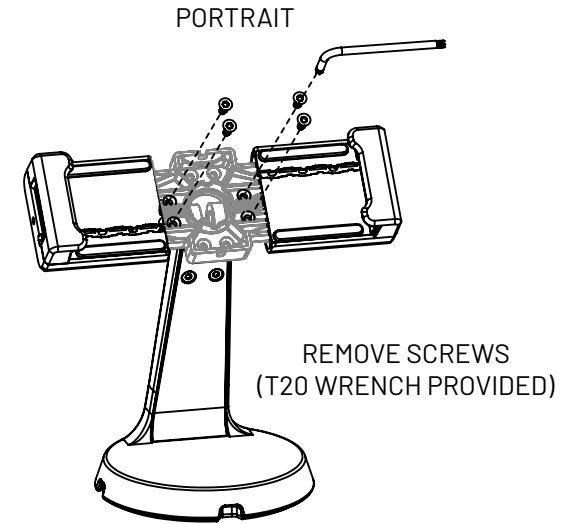
1 Prepare Stand



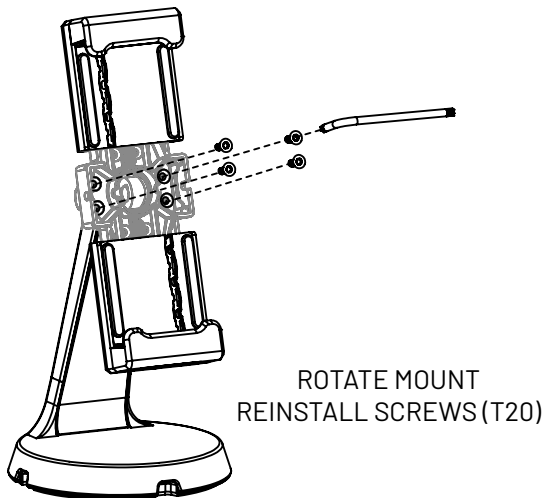
2 Set Orientation



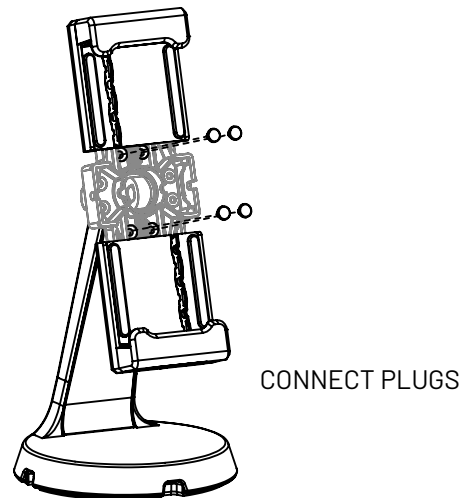
2A



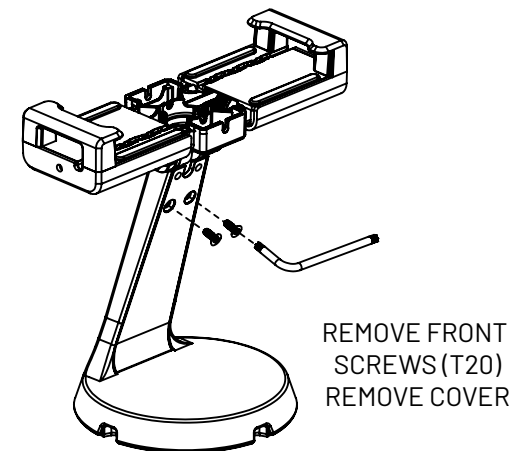
2B



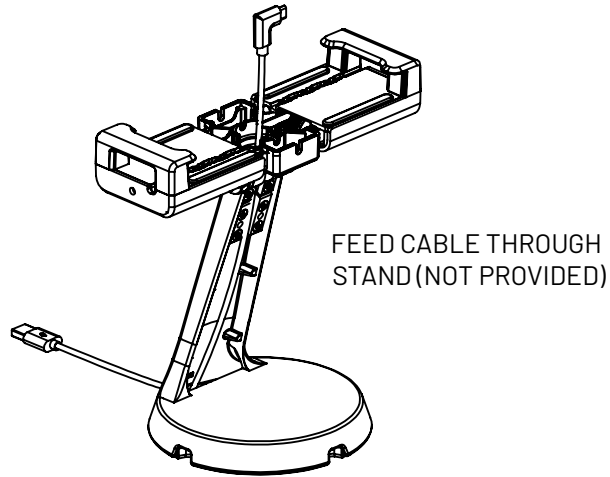
2C



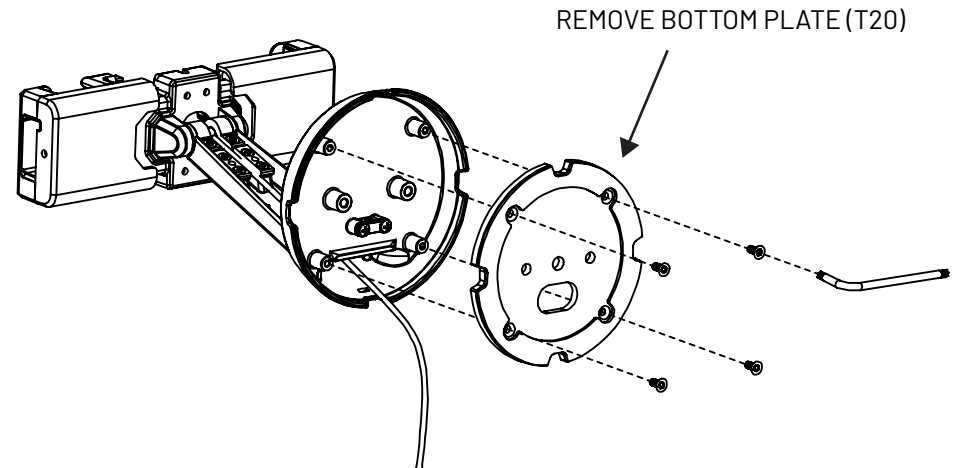
3



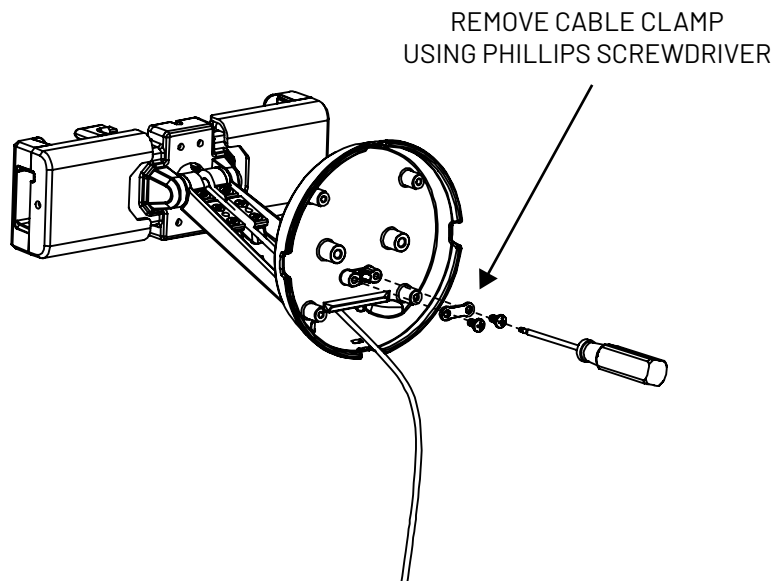
4 Route Cable



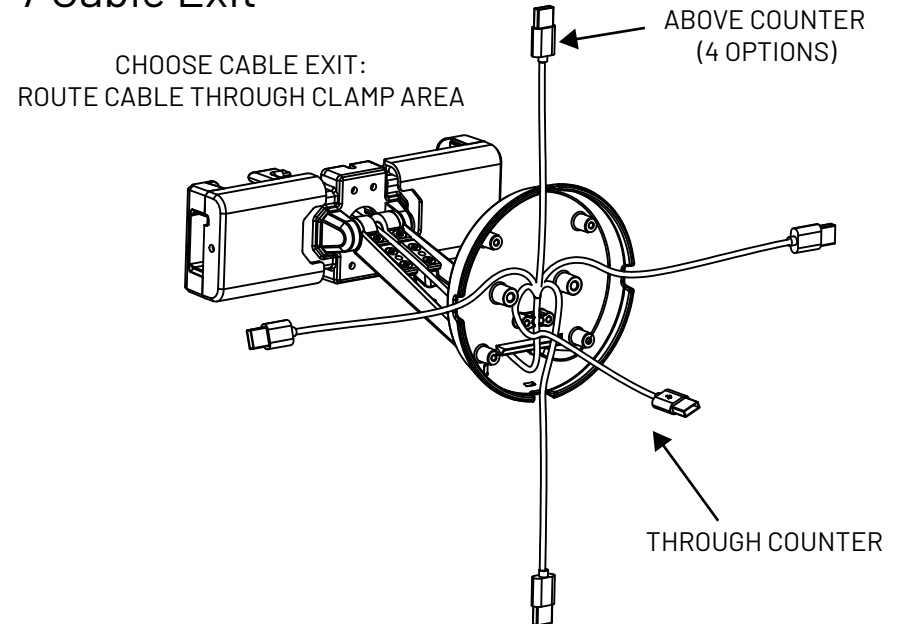
5 Open Base



6 Cable Setup

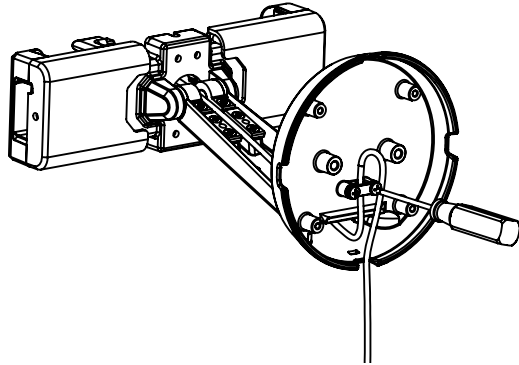


7 Cable Exit



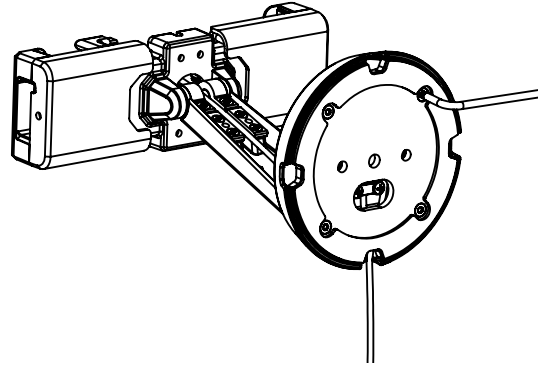
8 Secure Cable

REINSTALL CABLE CLAMP
 USING PHILLIPS SCREWDRIVER
 DO NOT OVERTIGHTEN
 LEAVE SLACK IN CABLE



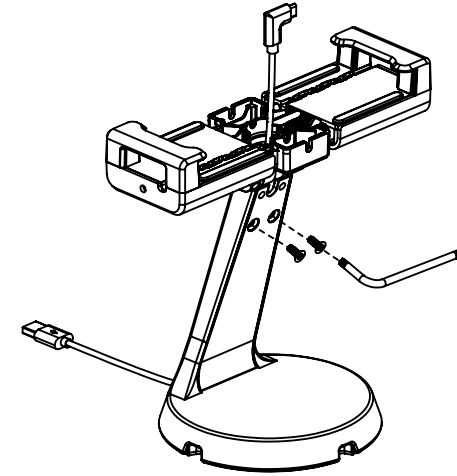
9 Close Base

REINSTALL BOTTOM PLATE (T20)



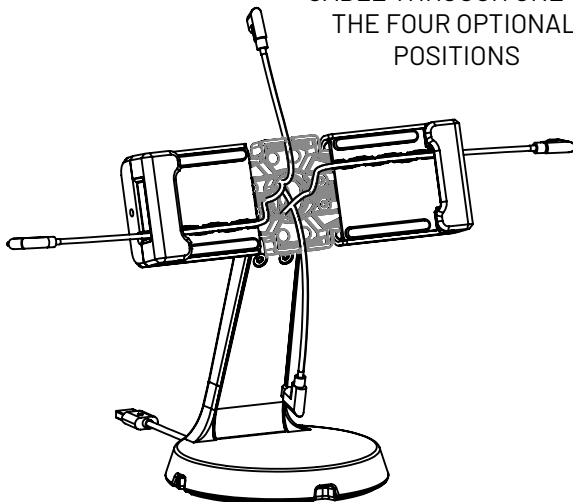
10 Close Front

INSTALL FRONT COVER (T20)



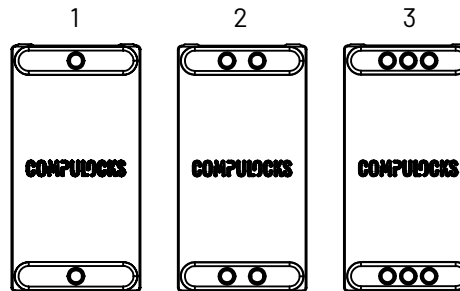
11 Route Final Cable Position

ROUTE CHARGING
 CABLE THROUGH ONE OF
 THE FOUR OPTIONAL
 POSITIONS



12

SELECT THE CORRECT PAD
 BASED ON YOUR TABLET THICKNESS

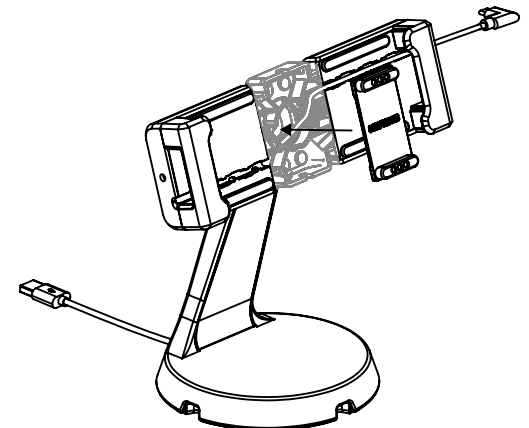


TABLET DEPTH TABLE

PAD 1	8.2mm - 9.3mm
PAD 2	6.5mm - 8.2mm
PAD 3	5.1mm - 6.8mm

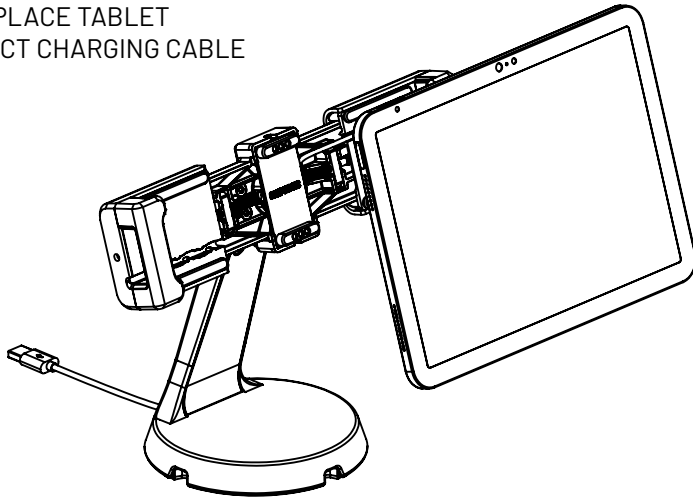
13

PLACE YOUR CHOSEN PAD INTO THE
 CENTER CONSOLE OF THE CLING BRACKET



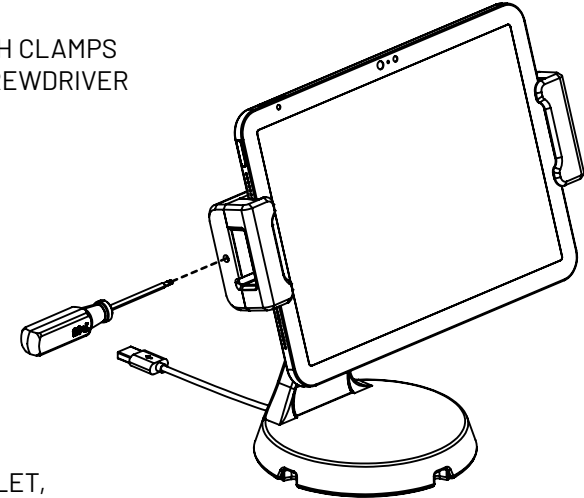
14 Install Tablet

PLACE TABLET
CONNECT CHARGING CABLE



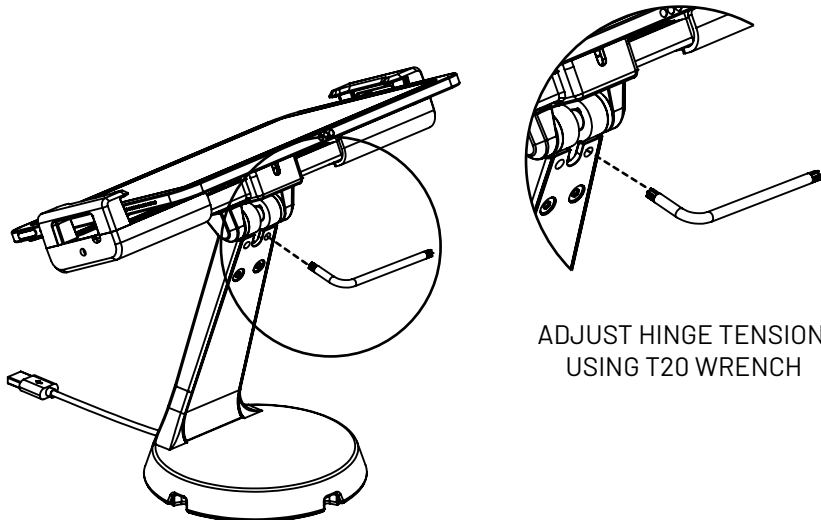
15 Secure Tablet

TIGHTEN BOTH CLAMPS
USING T15 SCREWDRIVER



CAUTION
WHEN INSTALLING TABLET,
DO NOT OVER-TIGHTEN THE CLAMPS.
OVER-TIGHTENING COULD LEAD
TO TABLET DAMAGE

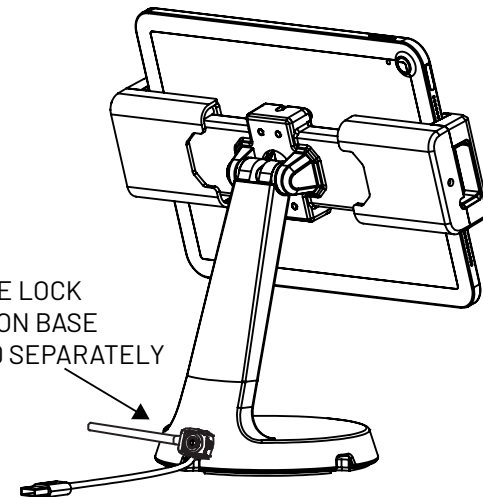
Tilt Tension Adjustment



ADJUST HINGE TENSION
USING T20 WRENCH

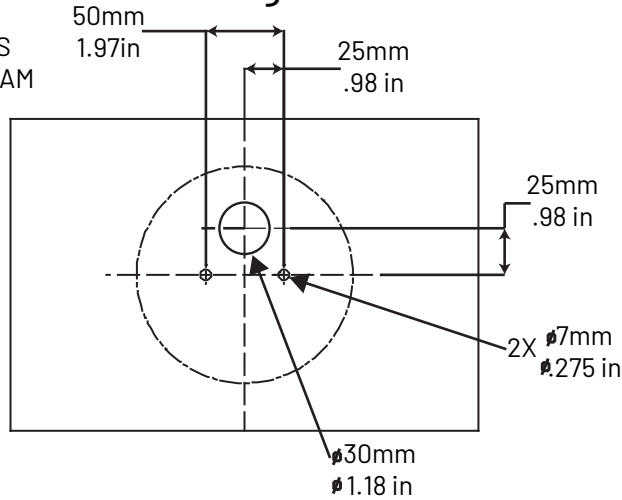
Securing Stand Using Cable Lock

ATTACH CABLE LOCK
AT LOCK SLOT ON BASE
CABLE LOCK IS SOLD SEPARATELY



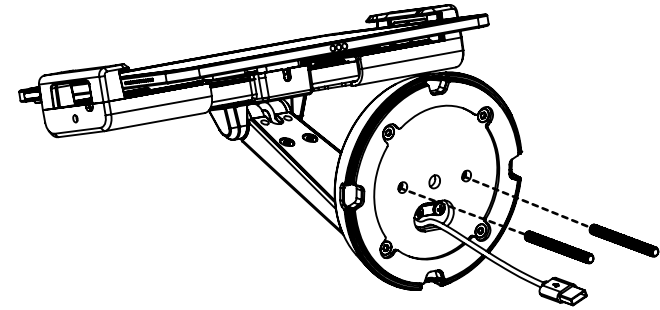
Secure Counter Mounting

1 DRILL HOLES AS SHOWN IN DIAGRAM

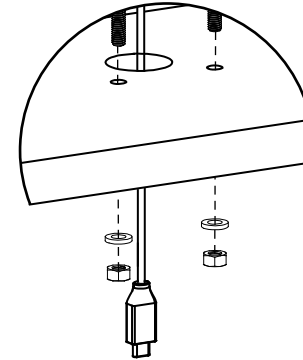
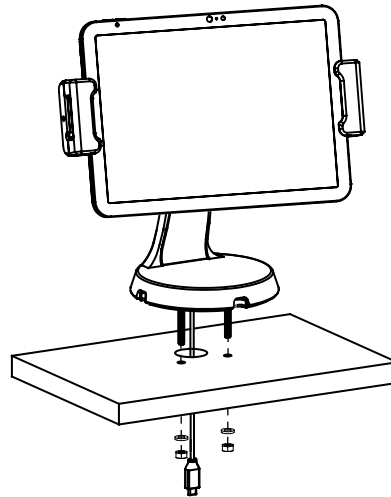


2

INSTALL M6 THREADED STUDS INTO BASE (PROVIDED)

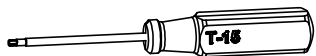


3



SECURE STAND TO COUNTER USING M6 FLAT WASHERS AND M6 HEX NUTS

IN THE BOX



T-15 Screwdriver



T20 TORX L-Wrench



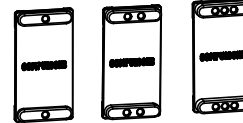
Plugs



M6-1mm Hex Nut



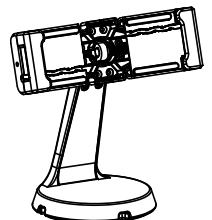
M6 Flat Washer



Pads



M6 X 65mm Threaded Stud



Cling Mast Stand
Sheet 5 of 5