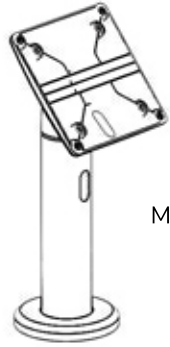
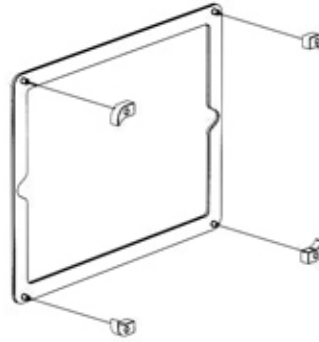


1

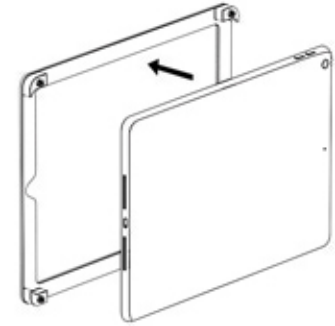


FOLLOW STAND
MOUNTING INSTRUCTIONS

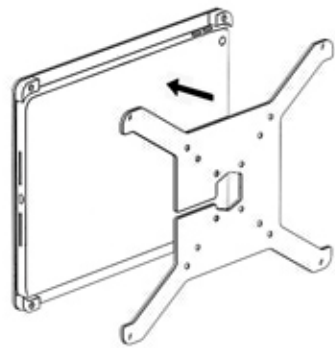
2



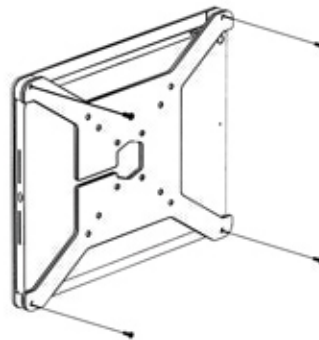
3



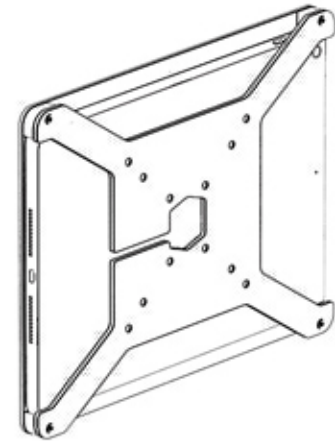
4



5



6



IN THE BOX



Screwdriver



X4

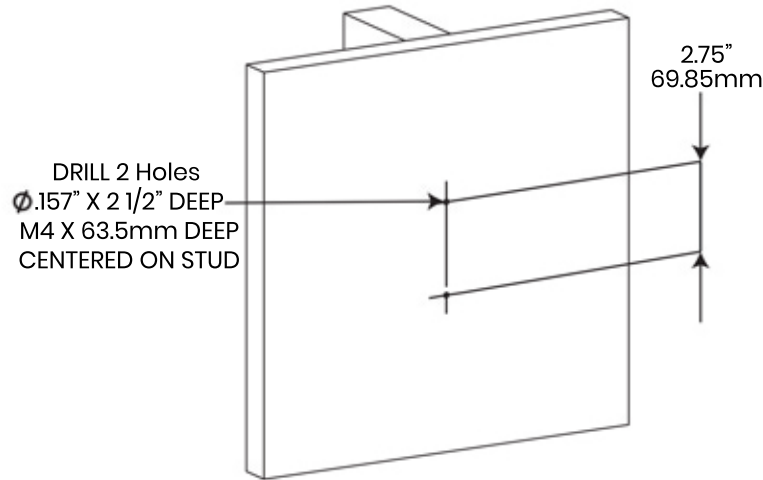
Tamper proof screws



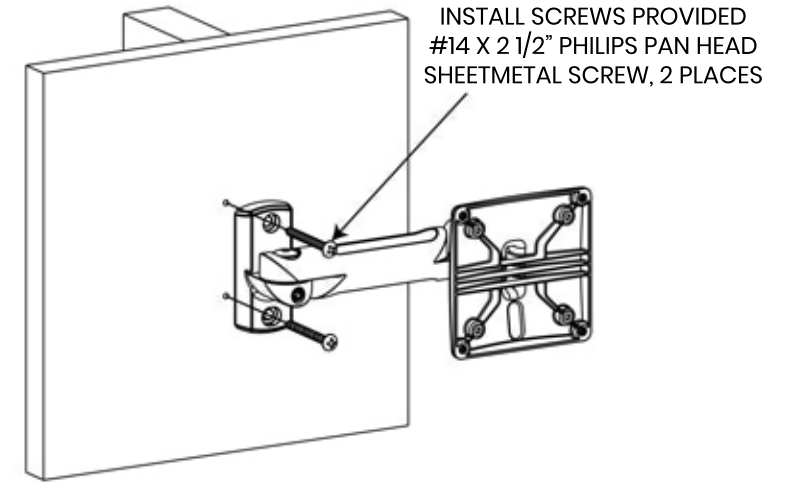
X4

Plastic Corners

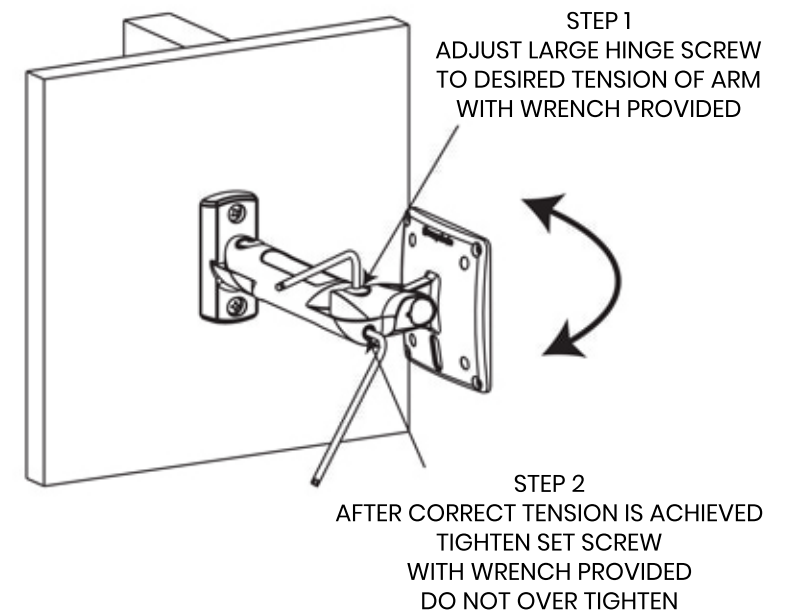
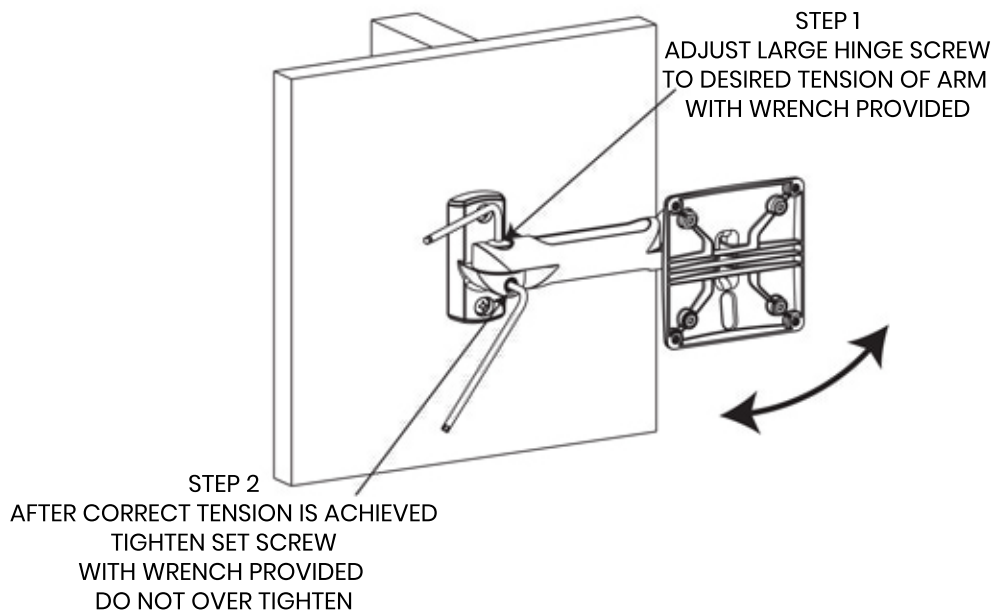
Wall Mounting - Wood Stud



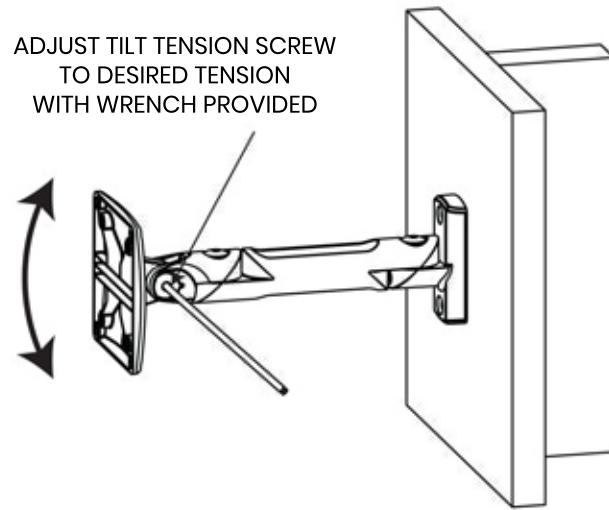
Wood Stud Installation



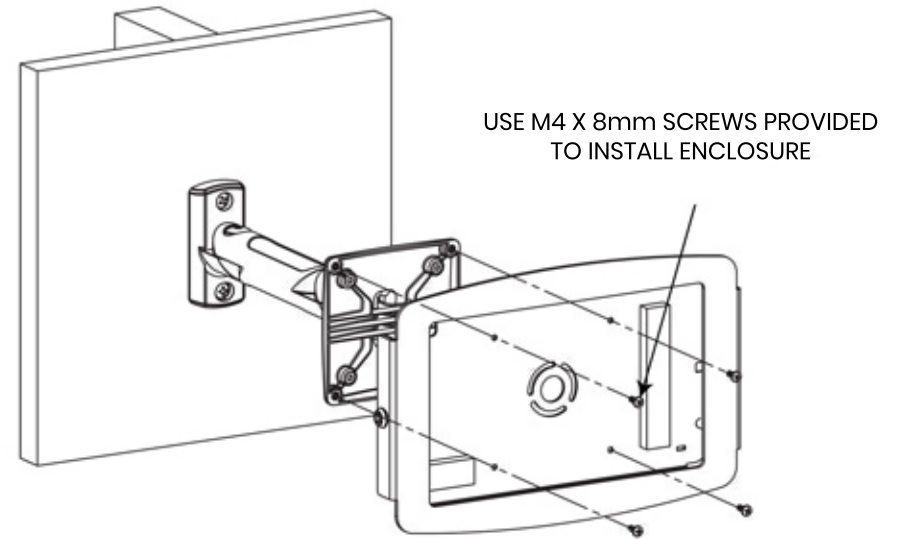
Hinge Adjustment



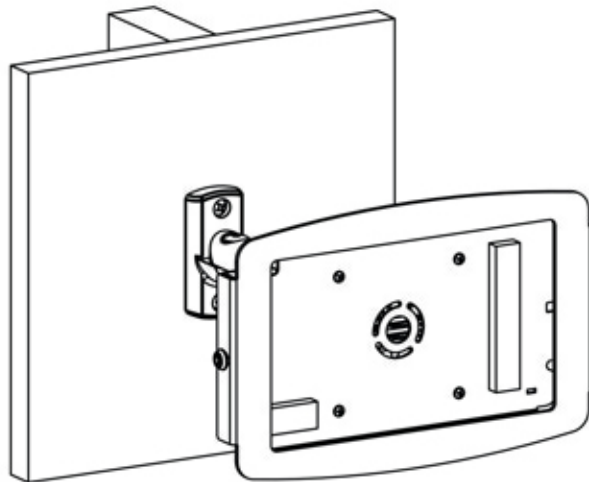
Tilt Adjustment



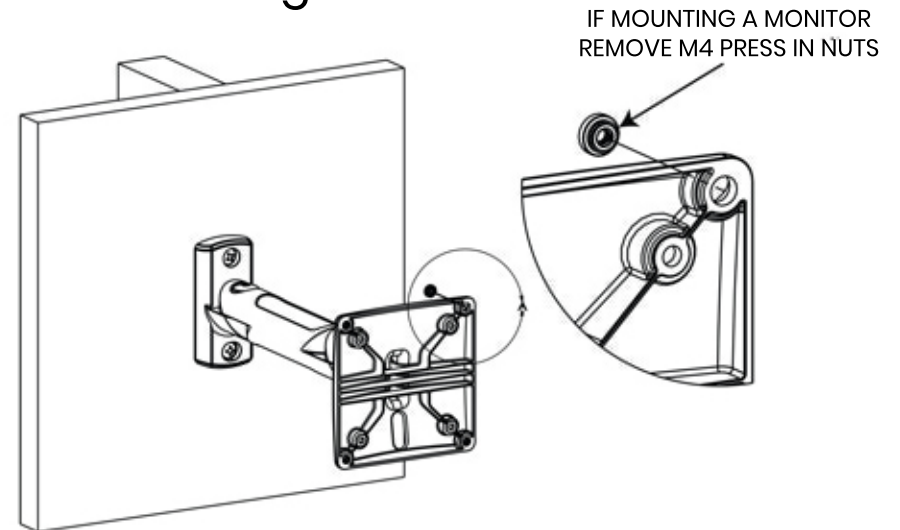
Enclosure Installation



Installation Complete



Monitor Mounting



**HARDWARE FOR MOUNTING THE MONITOR
IS NOT INCLUDED**