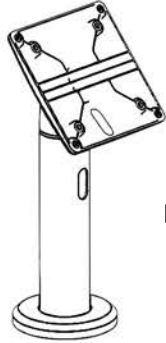
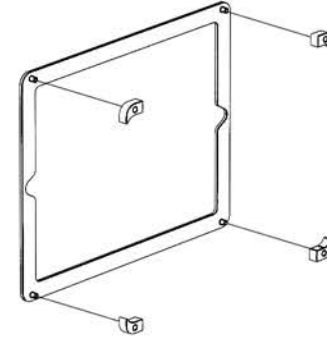


1

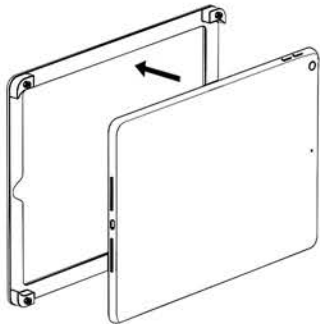


FOLLOW STAND
MOUNTING INSTRUCTIONS

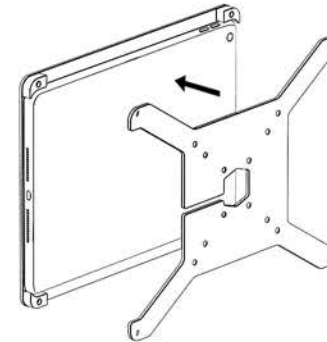
2



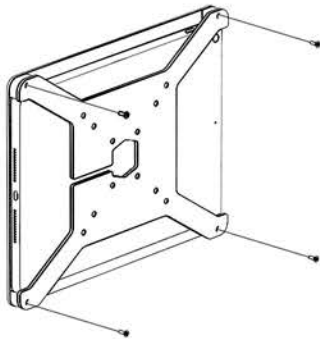
3



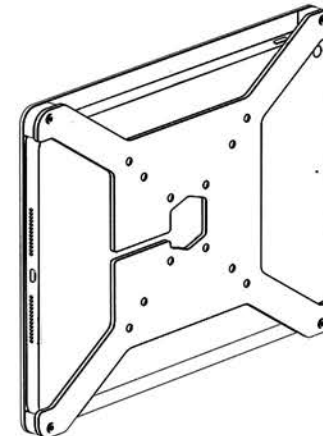
4



5



6

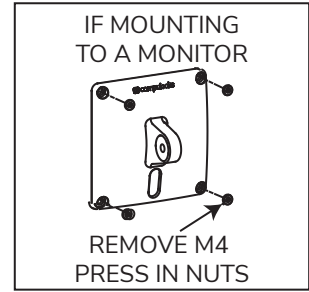
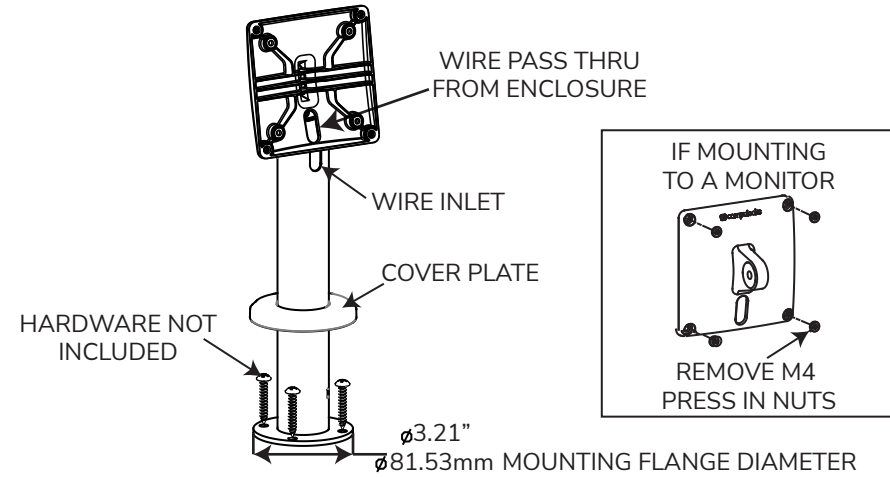
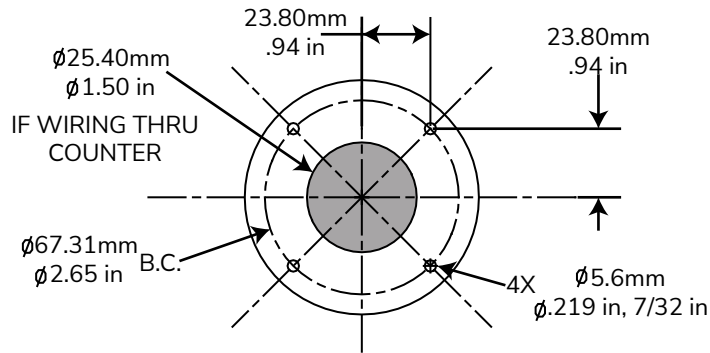


Assembly Instructions

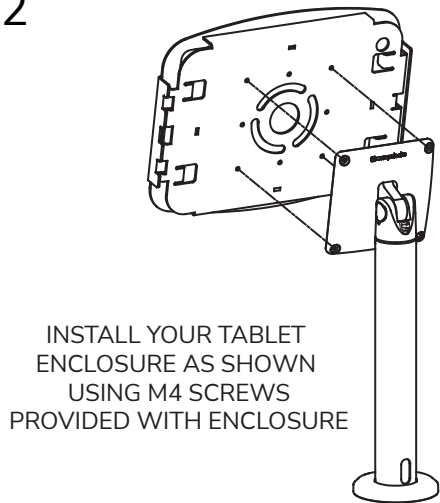
Installation On Counter Top

1

COUNTER MOUNTING PATTERN

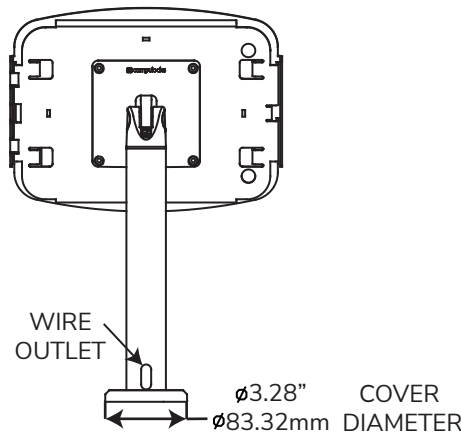


2



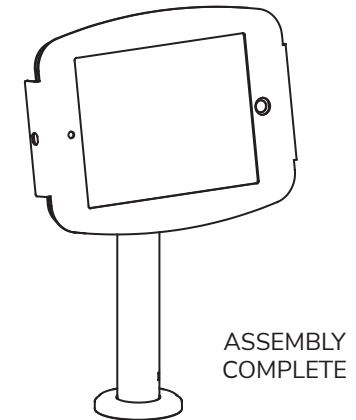
INSTALL YOUR TABLET ENCLOSURE AS SHOWN USING M4 SCREWS PROVIDED WITH ENCLOSURE

3



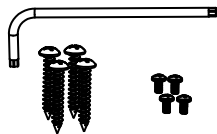
WIRE OUTLET
3.28" COVER DIAMETER
83.32mm

4

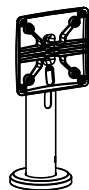


ASSEMBLY COMPLETE

IN THE BOX



Hardware Kit

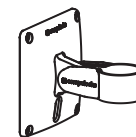


Fixed Pole Stand

ACCESSORIES



Adhesive Base



Single Add On Bracket

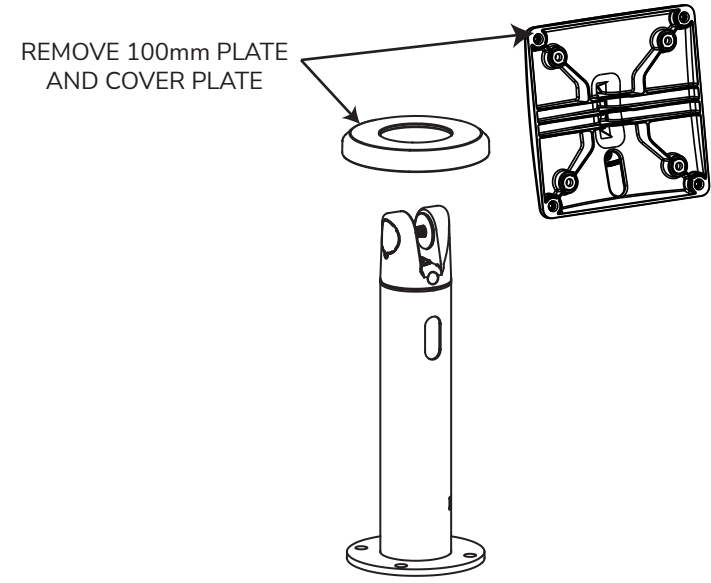
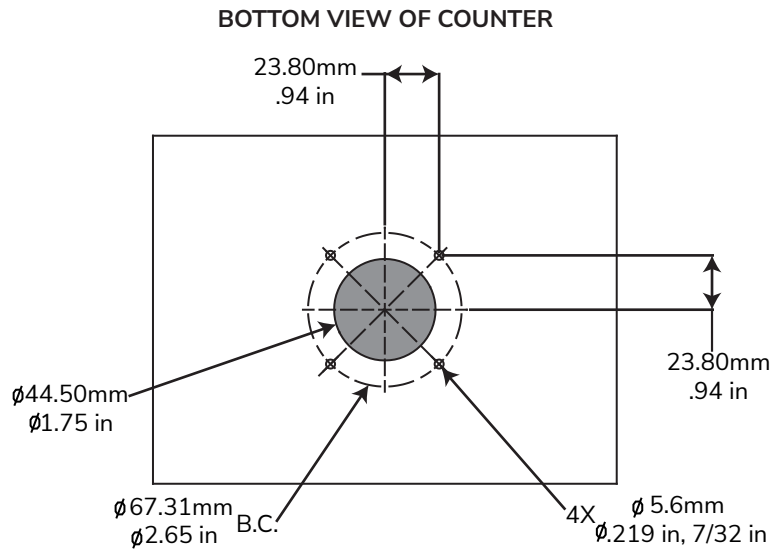


Free Standing Base

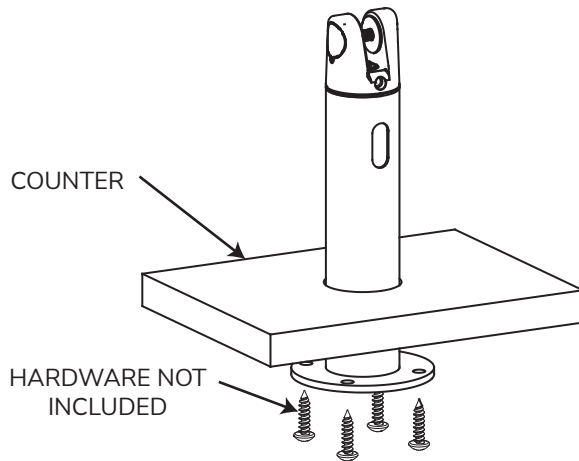
Assembly Instructions

Installation Below Counter

1



2



3

