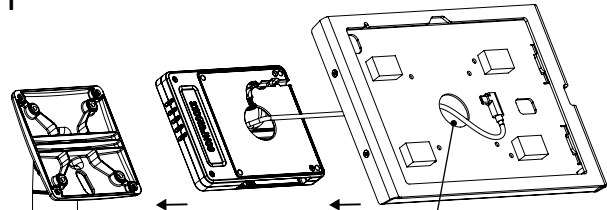


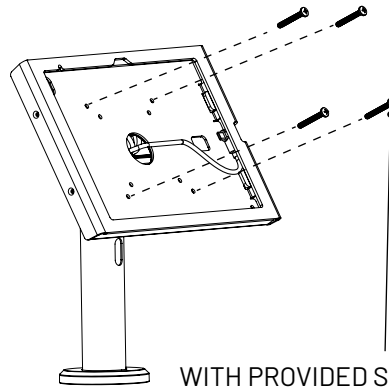
## With Stand

1



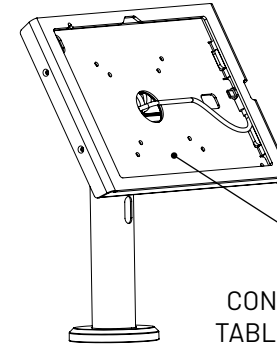
BRING THE PLUS HUB CABLE THROUGH THE CENTER HOLE OF THE BACKPLATE OF THE ENCLOSURE  
ALIGN SCREW HOLES ON ENCLOSURE, PLUS HUB AND STAND.

2



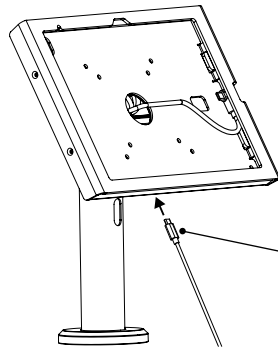
WITH PROVIDED SCREWS CONNECT THE ENCLOSURE THROUGH THE PLUS HUB TO THE STAND. TIGHTEN

3

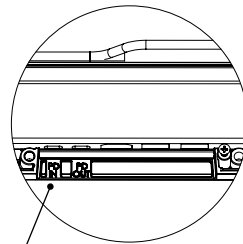


CONNECT PLUS HUB CABLE TO TABLET AND SECURE TOP PLATE AS PER INSTRUCTIONS PROVIDED FOR YOUR ENCLOSURE

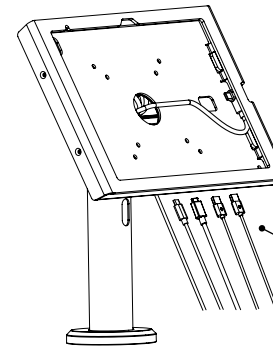
4



CONNECT POWER CABLE TO LEFT HAND INPUT PORT ON PLUS HUB

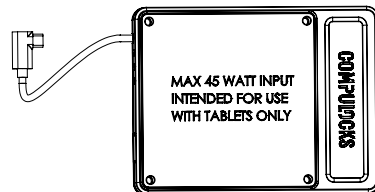


5

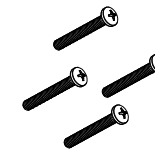


CONNECT OTHER CABLES TO PLUS HUB AS REQUIRED

## IN THE BOX

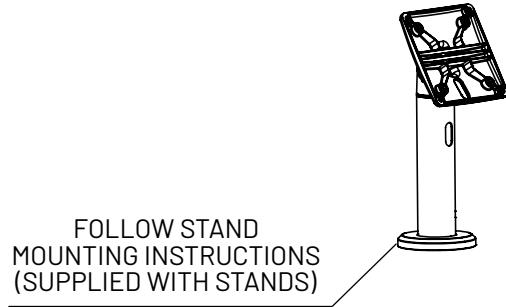


Plus Hub

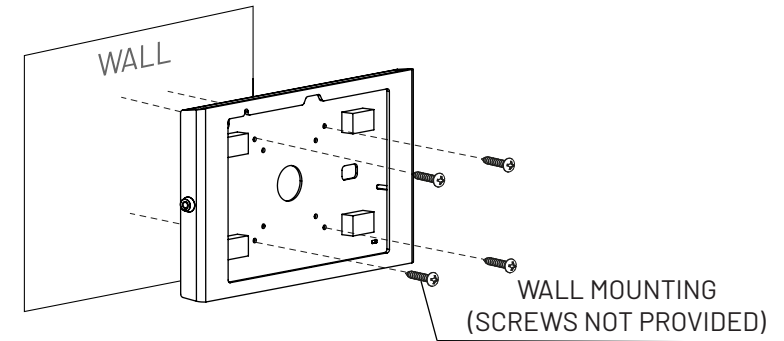


Philips Pan Head M4, 30mm

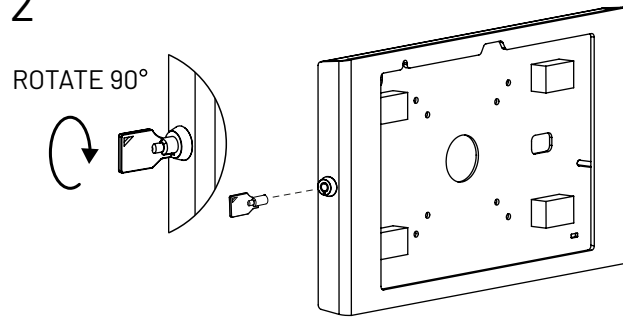
1



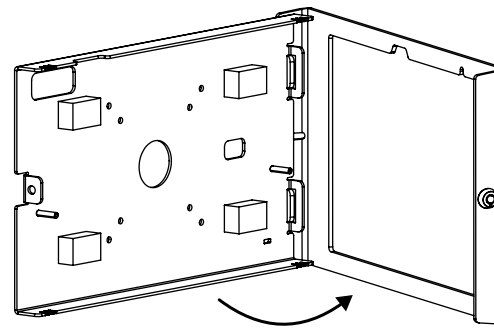
Or



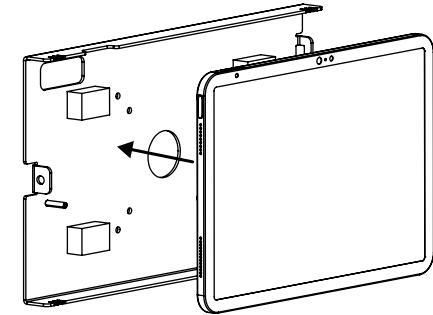
2



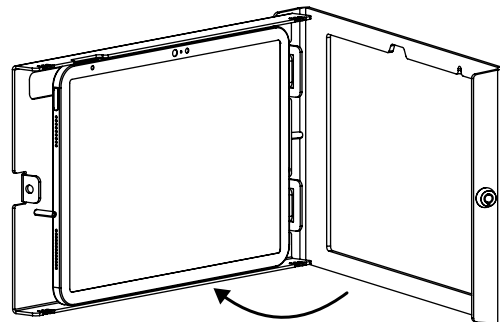
3



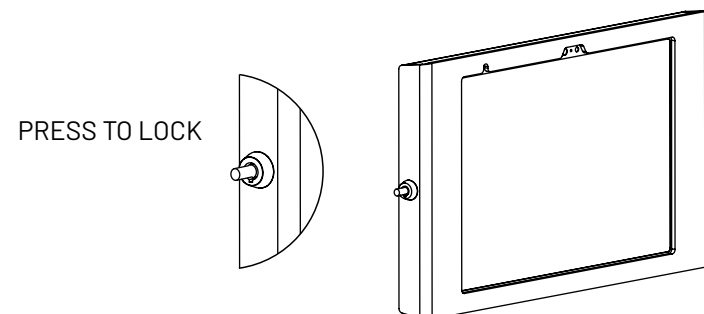
4



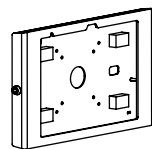
5



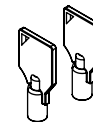
6



IN THE BOX



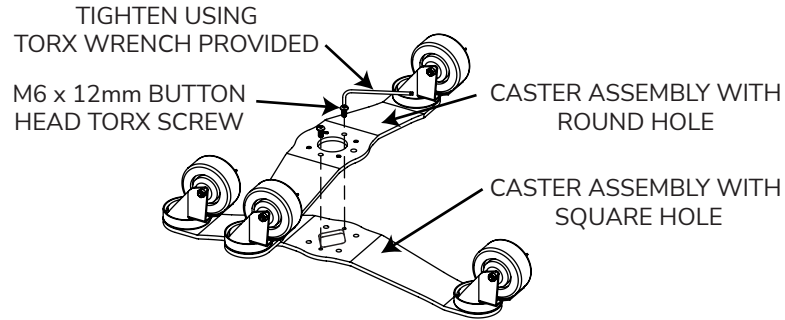
Apex Enclosure



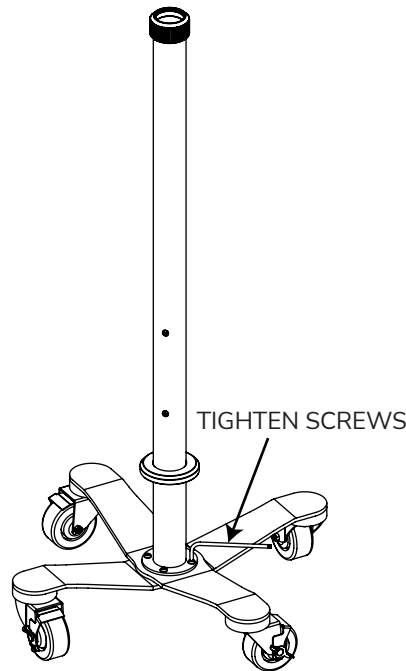
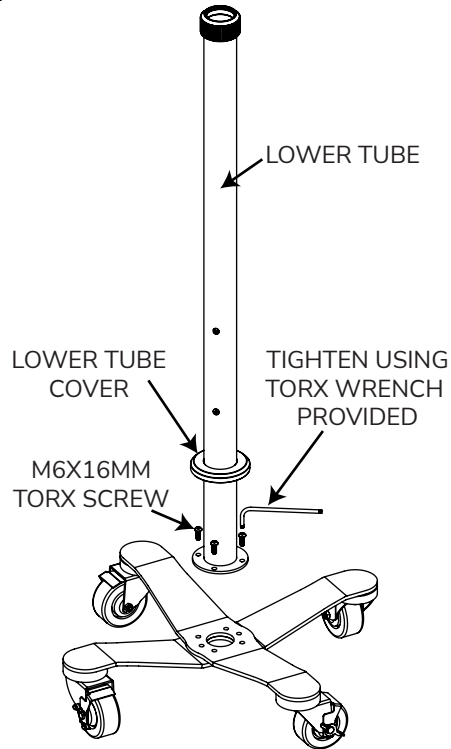
Keys

## Assembly Instructions

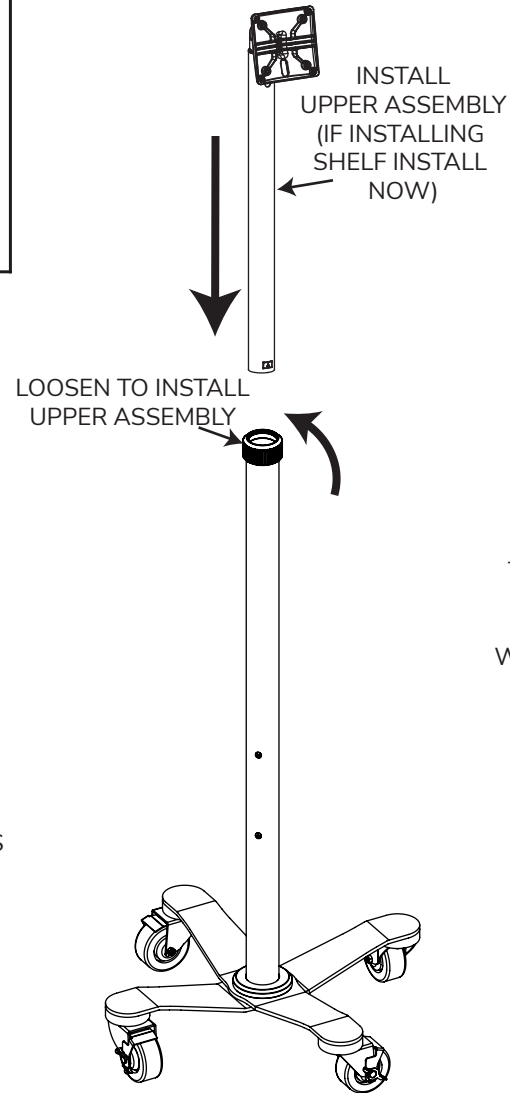
**1** PLACE CASTER ASSEMBLY ON FLOOR WITH CASTERS FACING UPWARDS



**2** **3**



**4** **5**

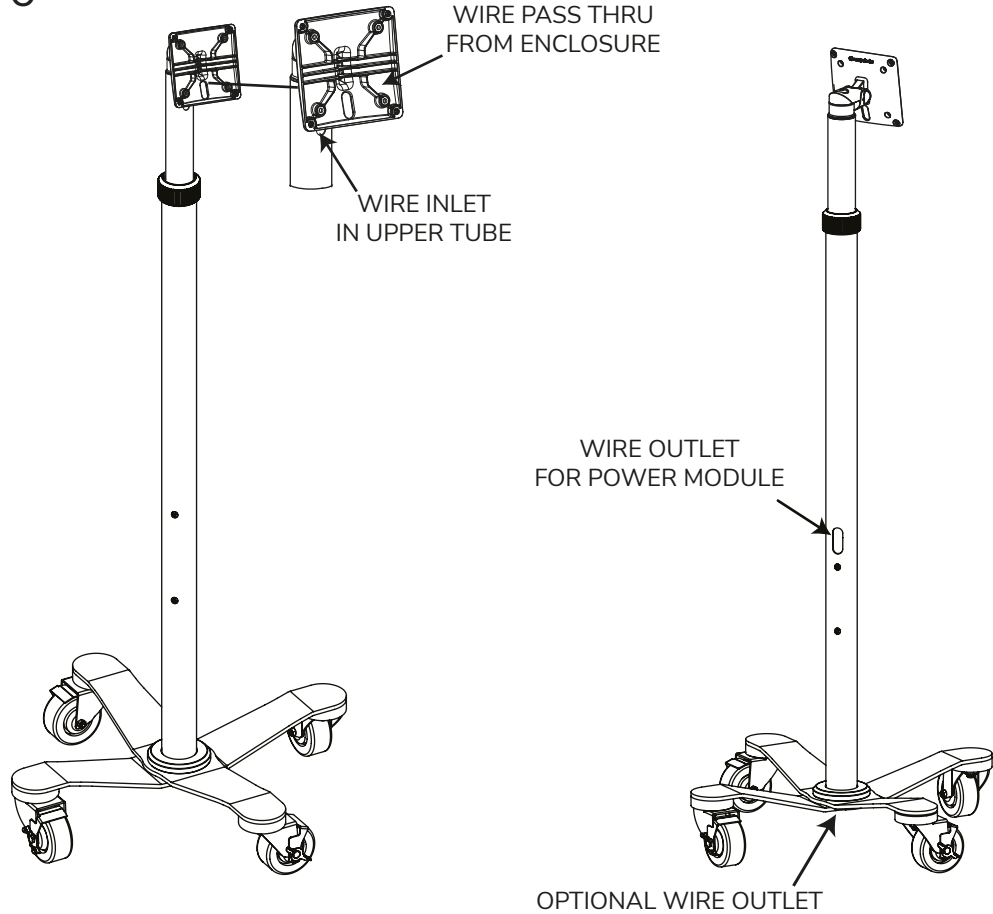


58.9"  
149.6cm

42.3"  
107.5cm

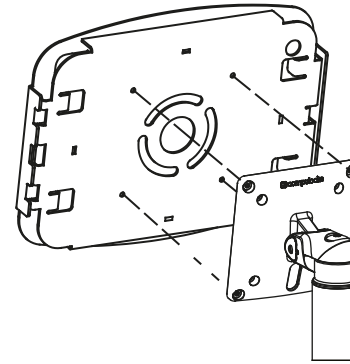
## Assembly Instructions

6

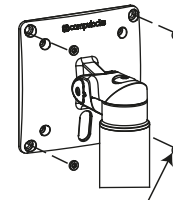


7

INSTALL YOUR TABLET ENCLOSURE AS SHOWN USING M4 SCREWS PROVIDED WITH RISE FREEDOM



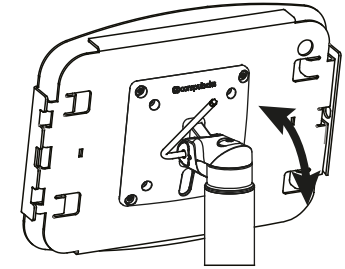
IF MOUNTING TO A MONITOR



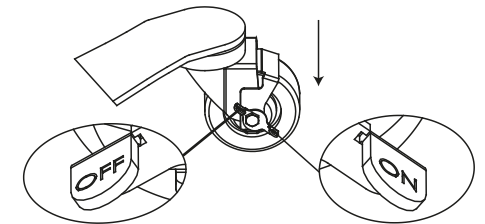
REMOVE M4 PRESS IN NUTS

8

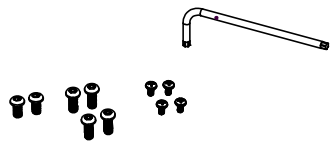
ADJUST TILT / TENSION



LOCKING THE CASTER

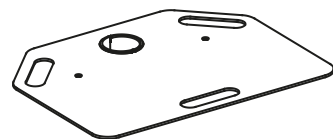


### IN THE BOX

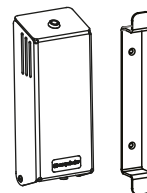


Hardware Kit

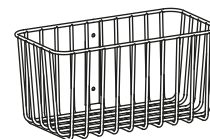
### ACCESSORIES



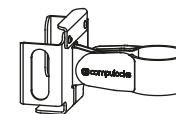
Keyboard / Writing Shelf Kit



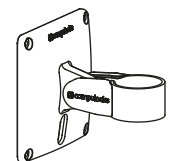
Power Module Kit



Accessory Basket Kit



JBL GO 2 Speaker Bracket



Single Add On Bracket Kit